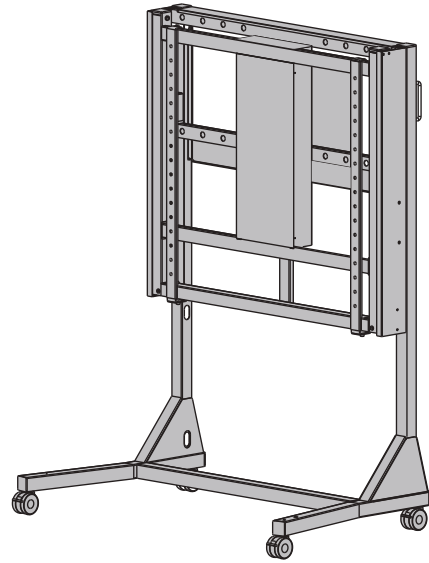
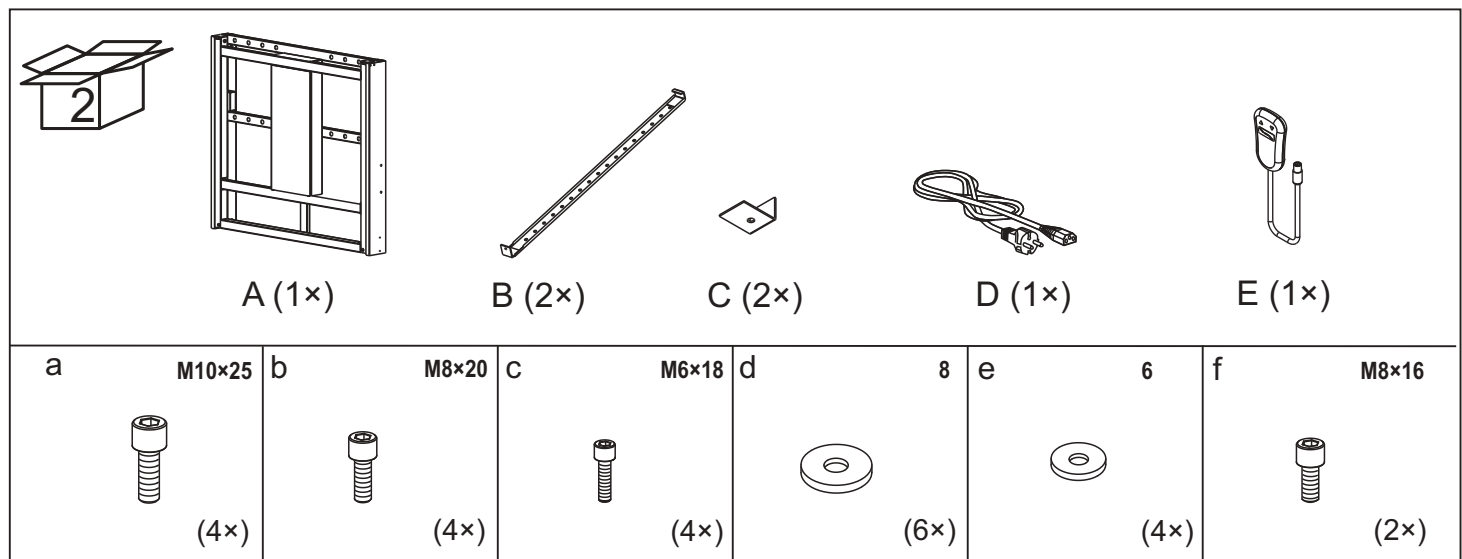
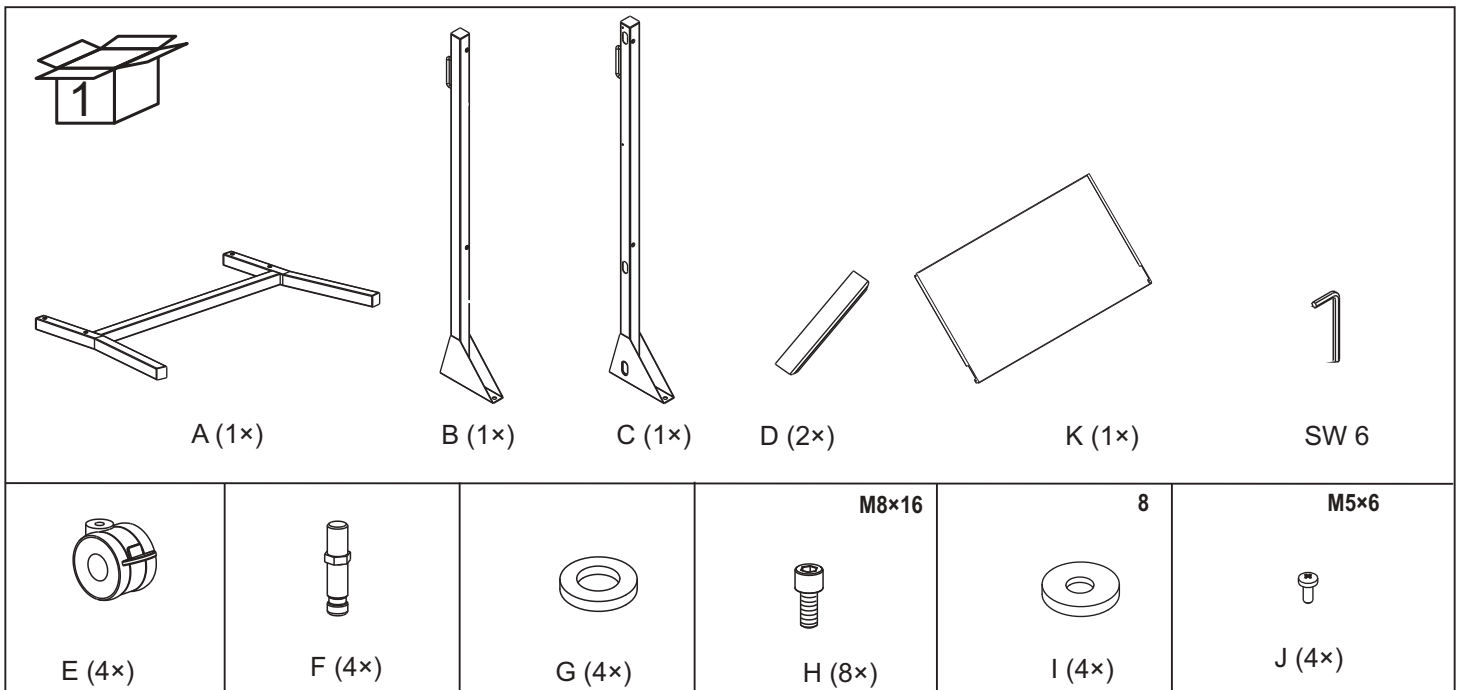




M Motorized Floorstand 160 kg White

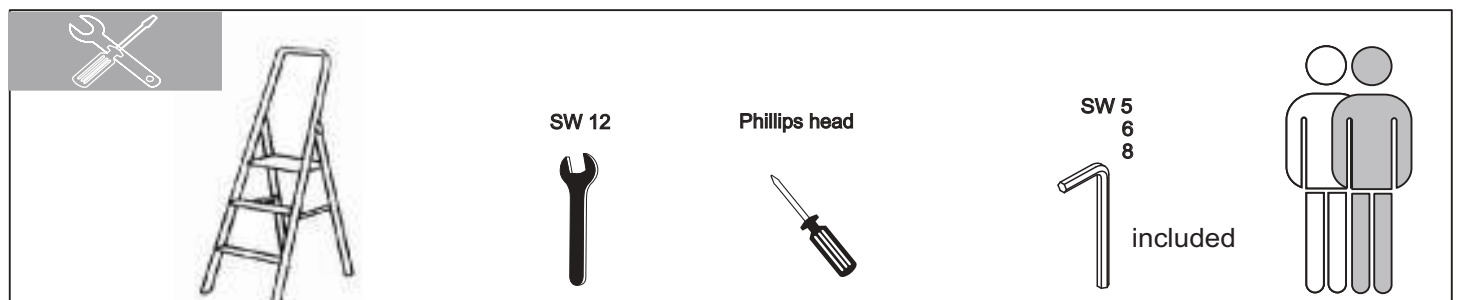
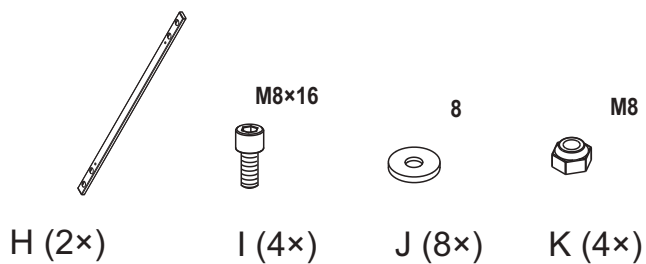


- ar يضرراً نوي زفلت لم اح
- dk Gulvstativ
- de Bodenständer
- el Επιδαπέδια βάση
- en Floor Stand
- es Soporte de suelo
- fi Lattiateline
- fr Socle au sol
- it Supporto da terra
- no Gulvstativ
- pl Podstawa na podłogę
- ru Напольная подставка
- se Golvstativ
- tr Zemin Sehpası
- zh 落地架

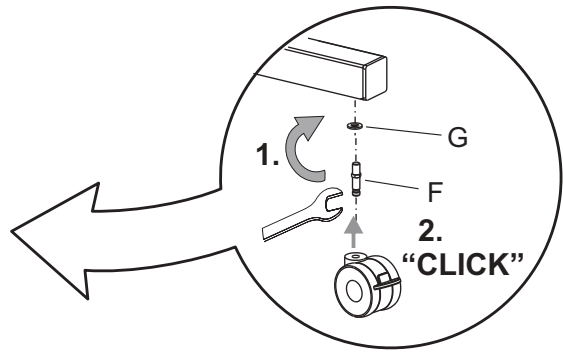
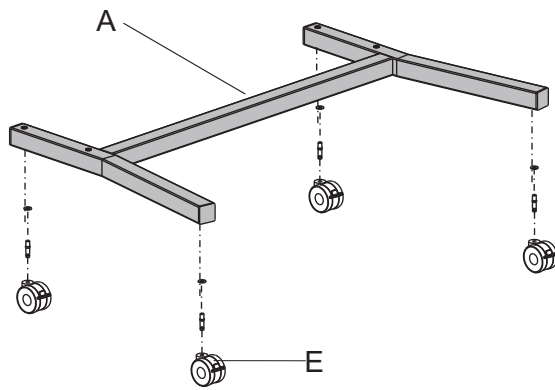


OPTION

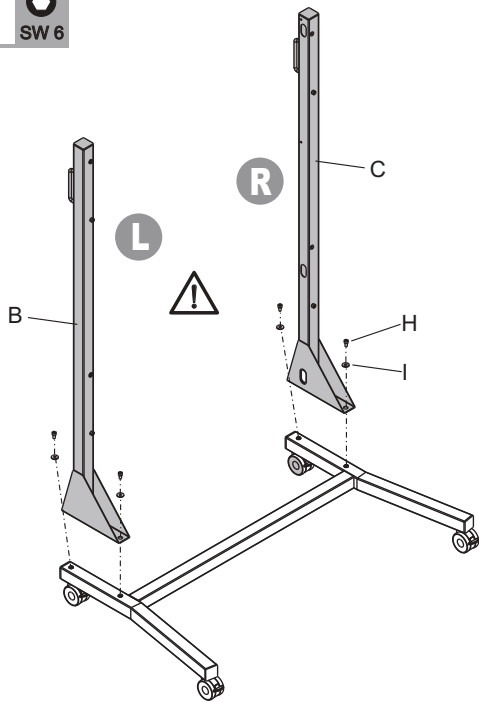
M VESA Extender kit Motorized Mount 1200x800 HD



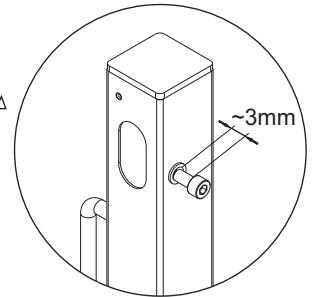
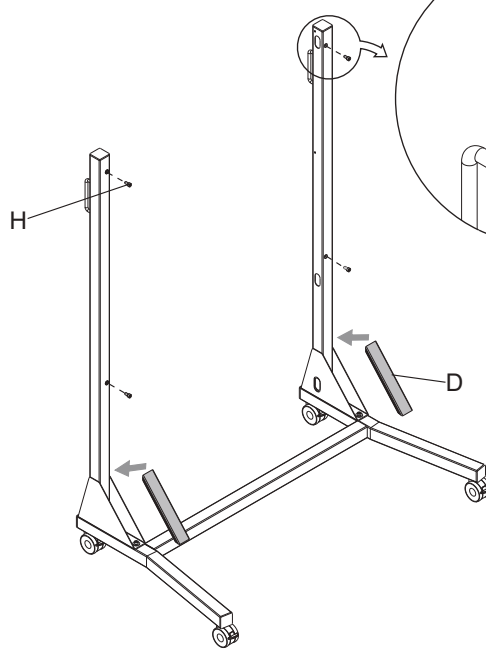
1



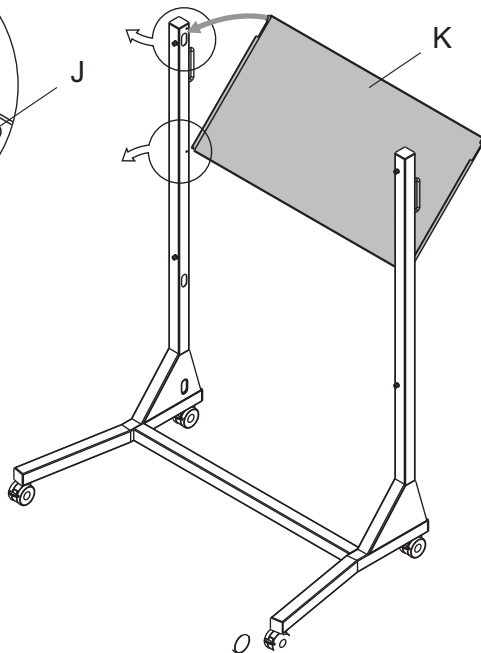
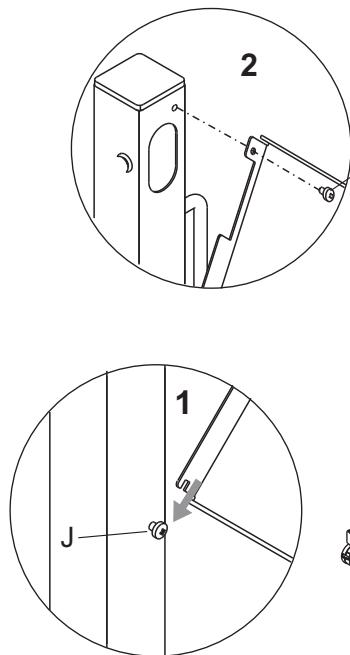
2



3



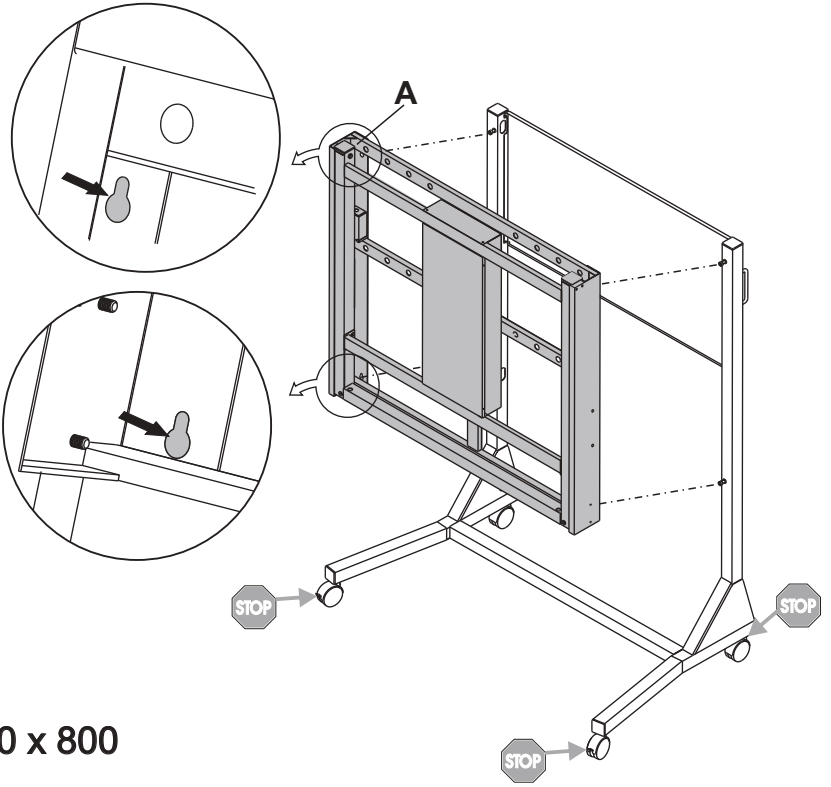
4



5



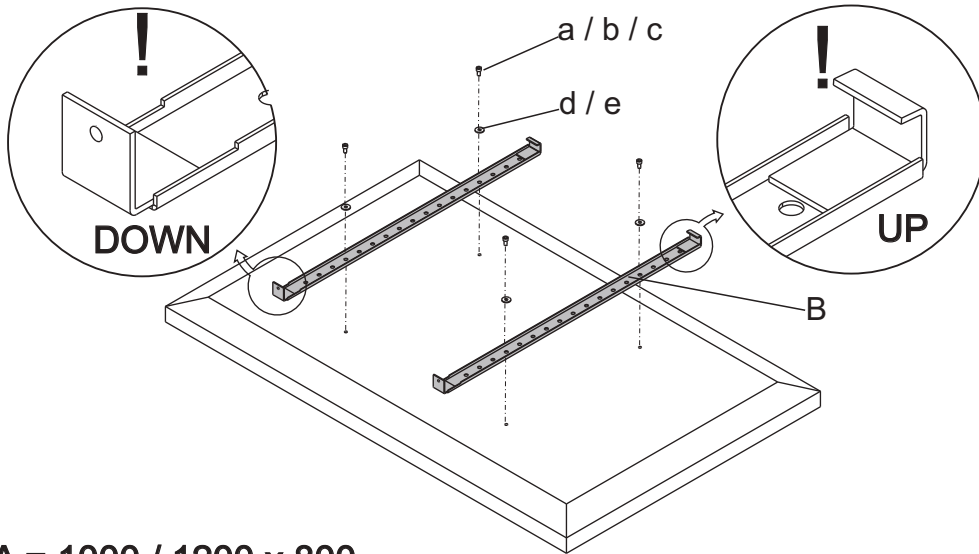
1. Hang the Wall mount on the Mobile stand.
2. Tighten the screws.



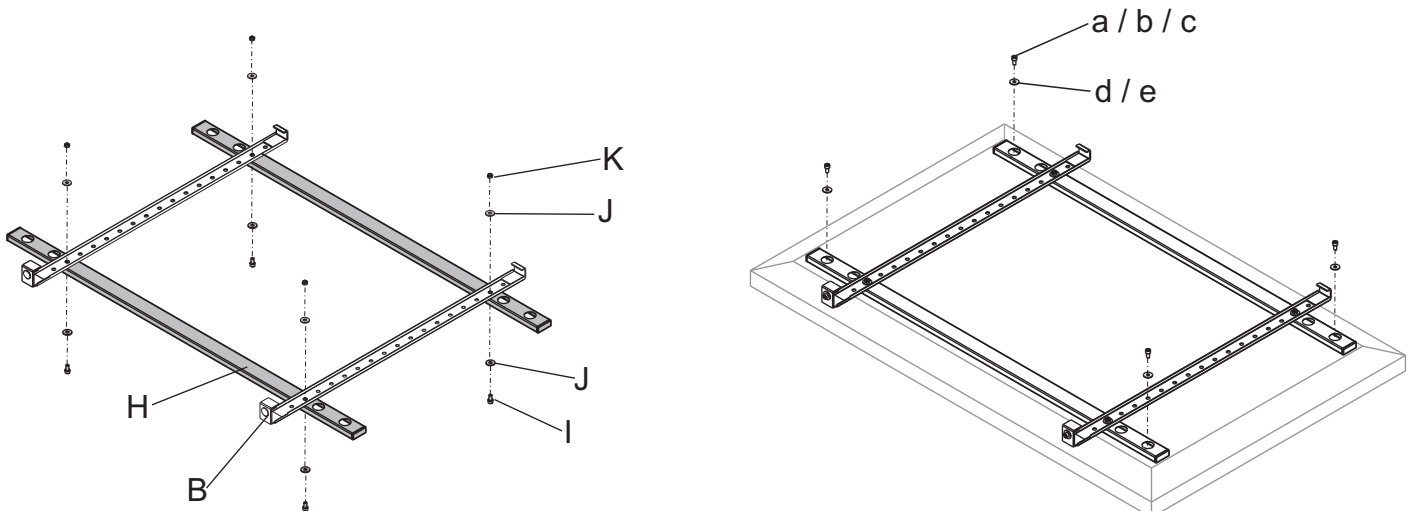
6



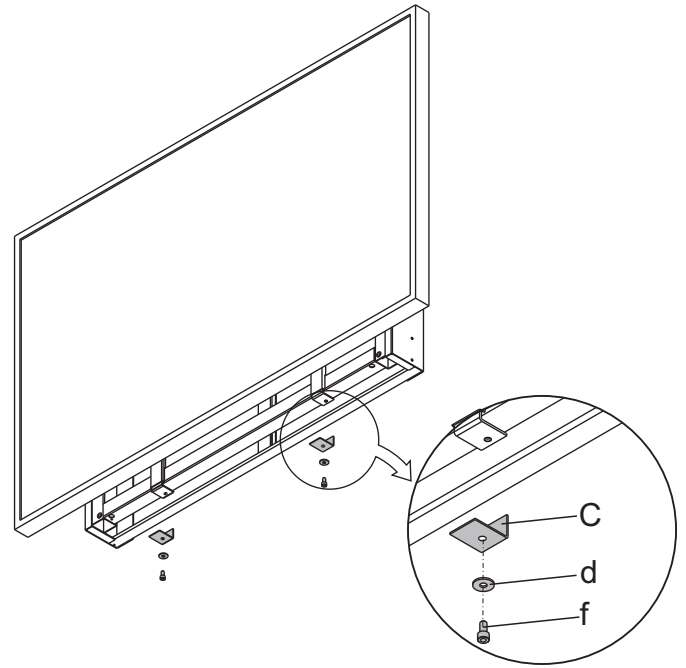
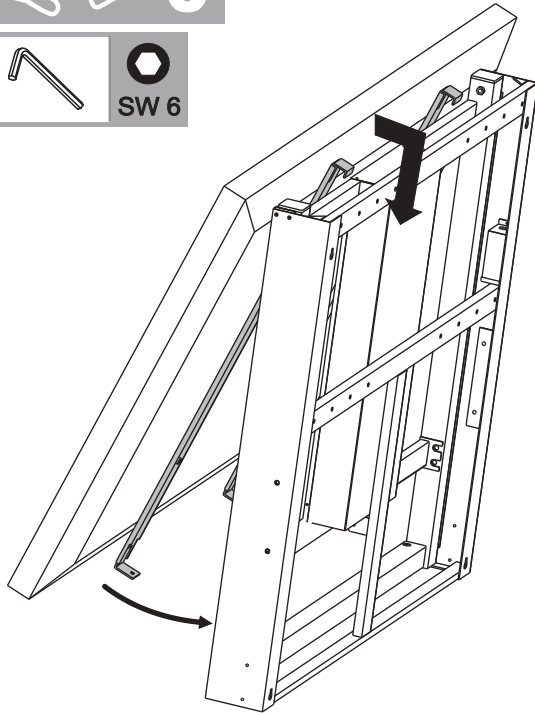
VESA ≤ 900 x 800



VESA = 1000 / 1200 x 800

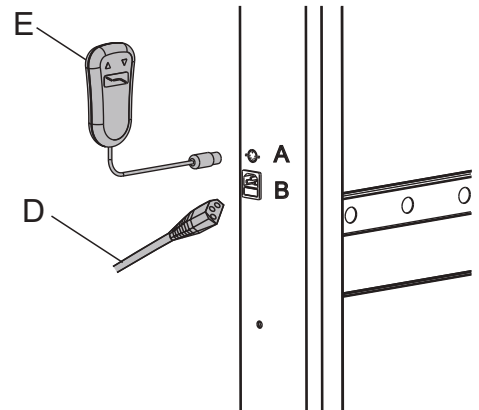


3



OPERATING

1. Check mains voltage. The mains voltage should correspond to the one specified on the rating plate located on the left side of the frame.
2. Plug the enclosed mains cable into the power socket (B) on the left side of the wall mount frame.
3. Plug the other end of the mains cable in the grounded outlet.
4. Connect the remote control to the socket (A) on the frame.
5. To raise the wall mount press the button ▲(UP), to lower the wall mount press the button ▼(DOWN) on the remote control.



Troubleshooting

Lifting function does not work >> Following steps should be taken:

1. Check the power cord for any possible damage.
2. Make sure the power cord is properly into the socket (B).
3. Check the fuse in the main socket. If it fails replace the fuse with the same type as the original (1,6 A).
4. Check the connection between the remote control and wall mount socket (A).