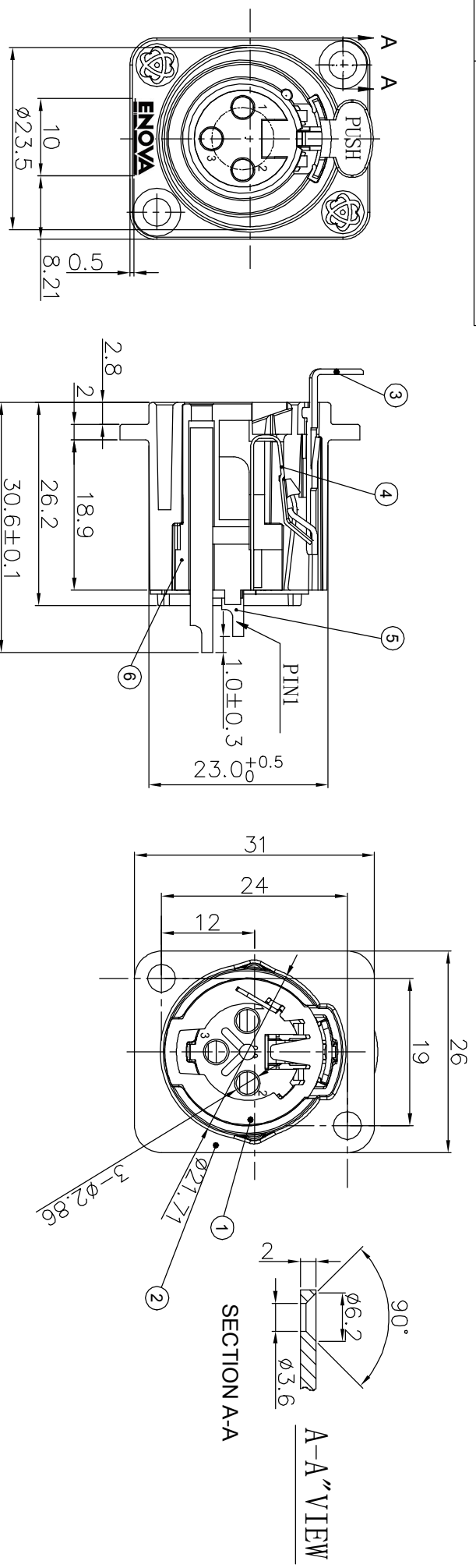


REVISIONS	
ISS	ZONE
1	2
V	OPEN
	Open drawings to customers



NO.	DESCRIPTION	MATERIAL	FINISH	Q'TY	DRAWING NO.
1	GROUND STRIP	H62	TIN	1	
2	DIE-CAST SHELL	ZZnAl4-1	Electro coating black	1	
3	PUSH BUTTON	H62	NICKEL	1	
4	LATCH	65Mn		1	
5	FEMALE PIN	H62	SILVER	3	
6	INSULATOR	PA	BLACK	1	

DIMENSIONS ARE IN MILLIMETERS
UNLESS OTHERWISE SPECIFIED
TOLERANCES:
ANGLES = ±5°
UP TO 6 = ±0.2
6-40 = ±0.4
40-120 = ±0.6
120-315 = ±1
ABOVE 315 = ±1.6

APPROVED	DATE	CHECKED	DATE
DRAWN	HAONANHU	DATE	2019-8-27
FILE NO.			
THIRD_ANGLE	SCALE	1/2	
ERP LINK:			

TITLE	PART NO.	REV.
Connector Distribution GmbH	XL13FB	A1
3P XLR FEMALE CHASSIS CONNECTOR		