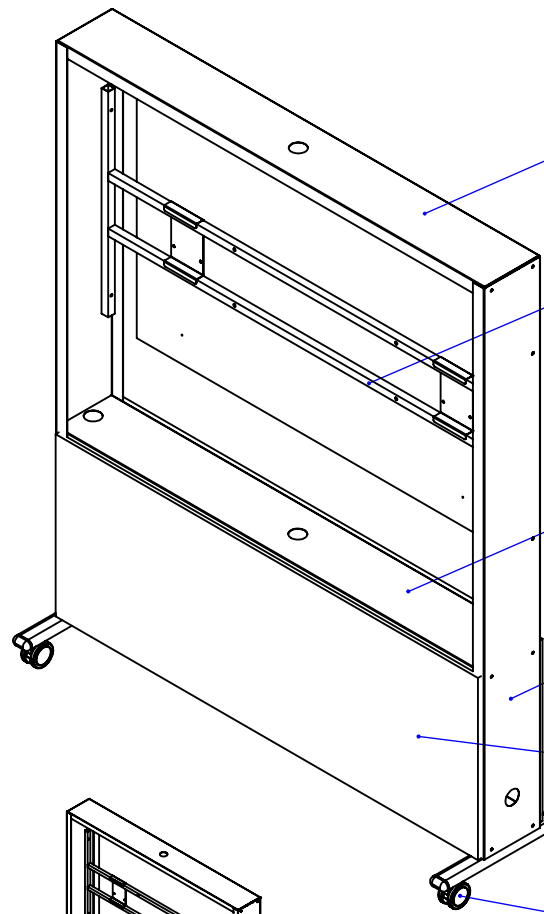


FRONT VIEW

DSS by Guntlin Mobile 1060

BACK VIEW



Metallic top beam with cable management hole (to install webcam)

Metallic tubular structure (tub of 20x20mm) with holes to install TV base plate

Metallic beams (steel sheet of 1mm thickness)

Metallic lateral (steel sheet of 1mm thickness)

Melamine cover with magnetic lock system

Metallic foot (tub of 60x30cm)

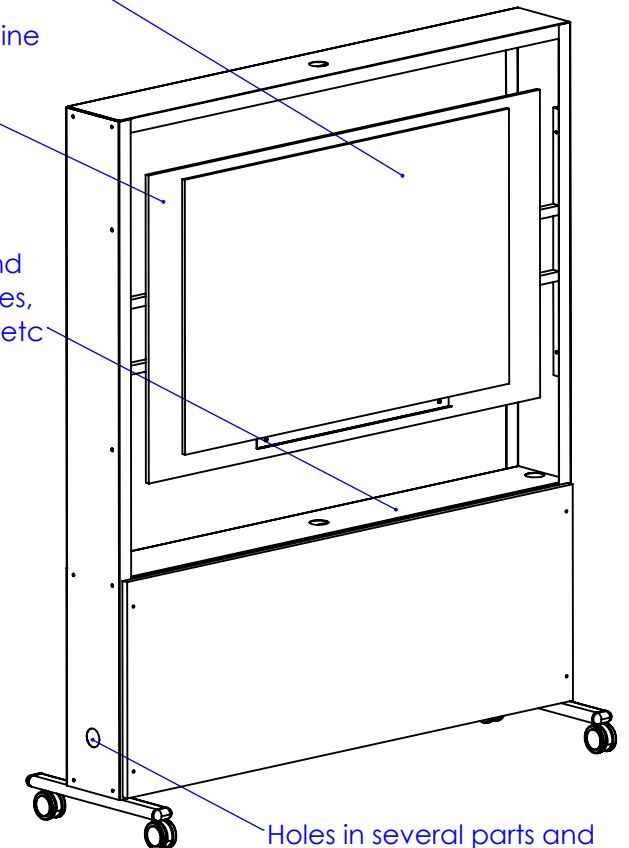
Strong wheels of 75mm diameter with break system

Metallic inner support to install several electronic devices

Frameless metallic whiteboard with pentray included

Black back melamine included

Width shelf for sound bars, phones, glasses, presentation tools, etc



Holes in several parts and position to achieve a total cable management

