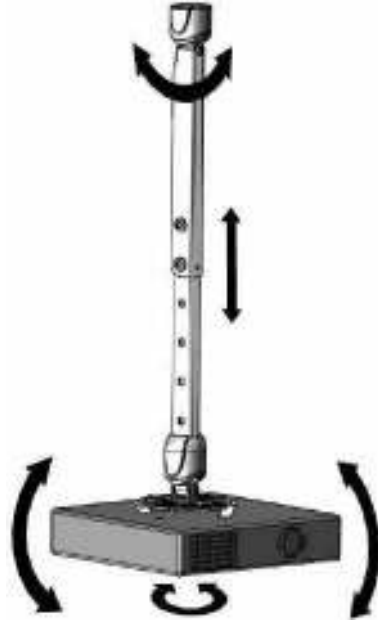


# Telescopic Projector Ceiling Mount



**model  
91**

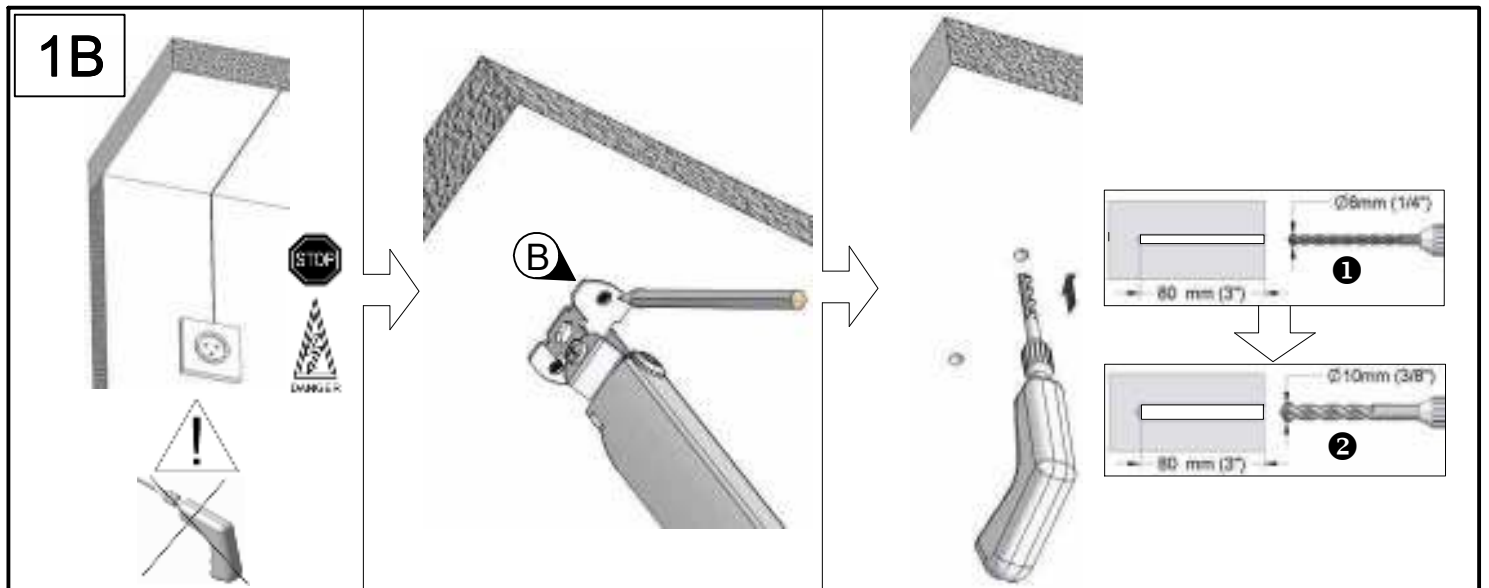
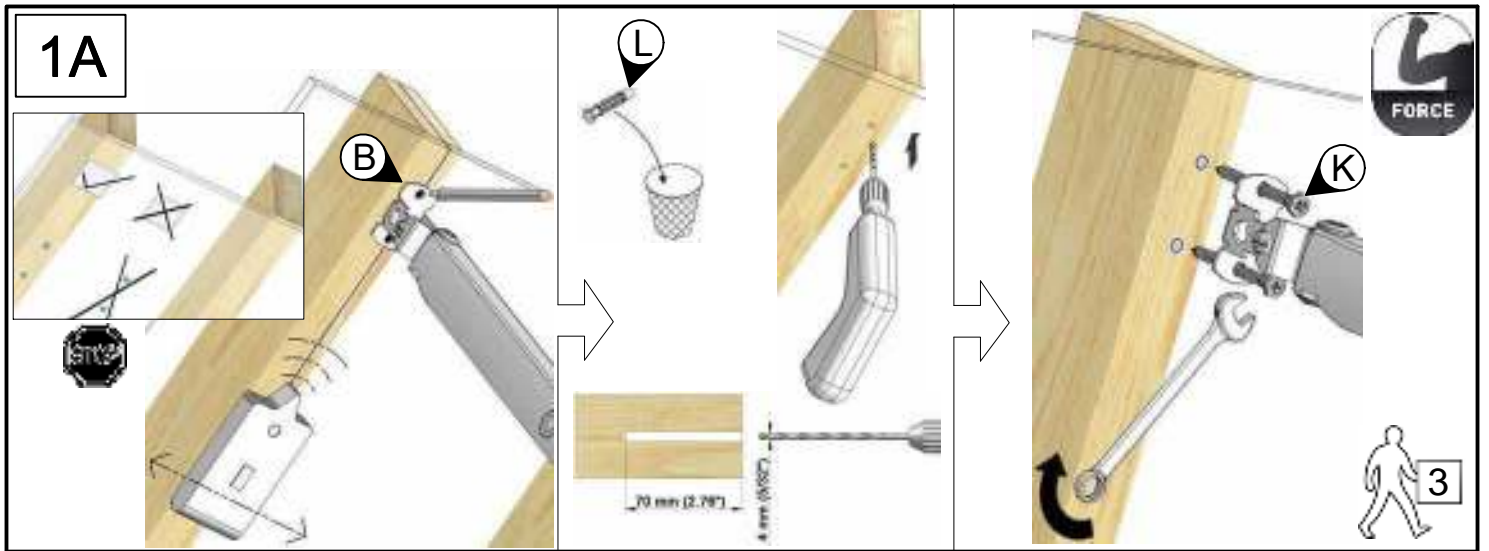
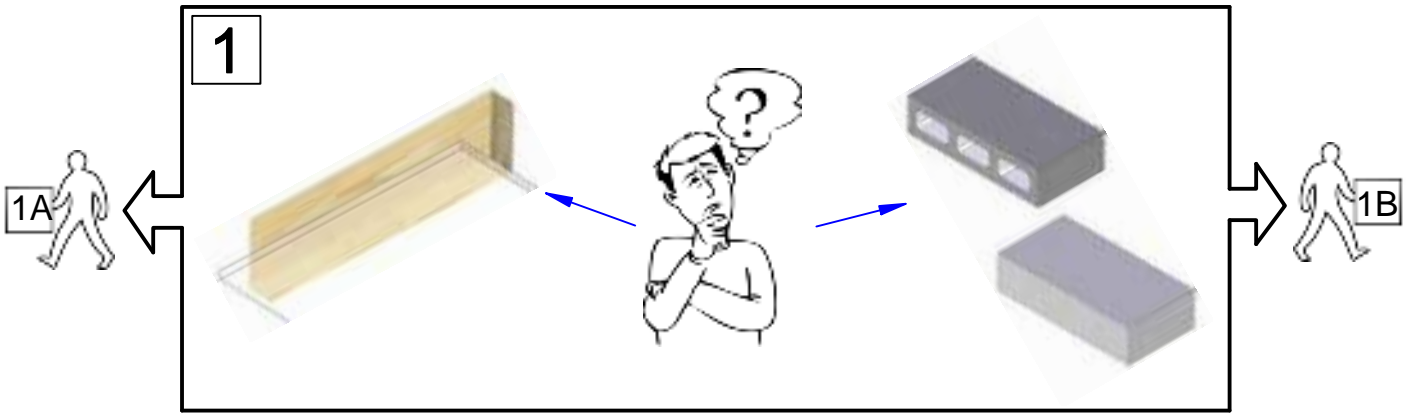
<b>Max</b>	
US	EU
24 lbs	11 kg

**CAUTION** - This Mount is intended for use only with the maximum weight as indicated. Using heavier products, might cause injury.



<b>A</b>  x1	<b>B</b>  x1	<b>C</b>  x2	<b>D</b>  x2	<b>E</b>  x4	<b>F</b>  x1	<b>G</b>  x1	<b>H</b>  x3	<b>I</b>  x3	<b>J</b>  x1															
<b>K</b>  x2	<b>L</b>  x2	<b>M</b>  x4	<b>N</b>  x2	<b>O</b>  x2	<b>P</b>  x3	<b>Q</b>  x3	<table border="1"> <thead> <tr> <th>#</th> <th>D</th> <th>d</th> <th>=</th> </tr> </thead> <tbody> <tr> <td><b>T</b></td> <td>10</td> <td>4.4</td> <td>x8</td> </tr> <tr> <td><b>U</b></td> <td>21</td> <td>8.7</td> <td>x4</td> </tr> </tbody> </table>			#	D	d	=	<b>T</b>	10	4.4	x8	<b>U</b>	21	8.7	x4			
#	D	d	=																					
<b>T</b>	10	4.4	x8																					
<b>U</b>	21	8.7	x4																					
<b>R</b>  x1	<b>S</b>  x4	<table border="1"> <thead> <tr> <th>#</th> <th>D</th> <th>L</th> <th>=</th> </tr> </thead> <tbody> <tr> <td><b>V</b></td> <td>M3</td> <td>10</td> <td>x4</td> </tr> <tr> <td><b>W</b></td> <td>M4</td> <td>10</td> <td>x8</td> </tr> <tr> <td><b>X</b></td> <td>M6</td> <td>10</td> <td>x4</td> </tr> </tbody> </table>				#	D	L	=	<b>V</b>	M3	10	x4	<b>W</b>	M4	10	x8	<b>X</b>	M6	10	x4			
#	D	L	=																					
<b>V</b>	M3	10	x4																					
<b>W</b>	M4	10	x8																					
<b>X</b>	M6	10	x4																					

**Tools Required**



The anchor must be sunk up to 10 mm (3/8") into the plaster coating

