

Motorised Under Floor TV Lift system



Floor Lift



Flexible design

A customizable lifting solution for bigger and heavier screens. Works in both conventional and upside-down mode. Thanks to gear rack type drive higher lengths can be obtained easily.

Due to its flexible design – every unit can be custom-made covering lifting heights up to 2500 mm!



WiFi Ready



Ceiling/floor
mounting



Easy stroke
adjustment



Active
RJ-45 socket



power
guard

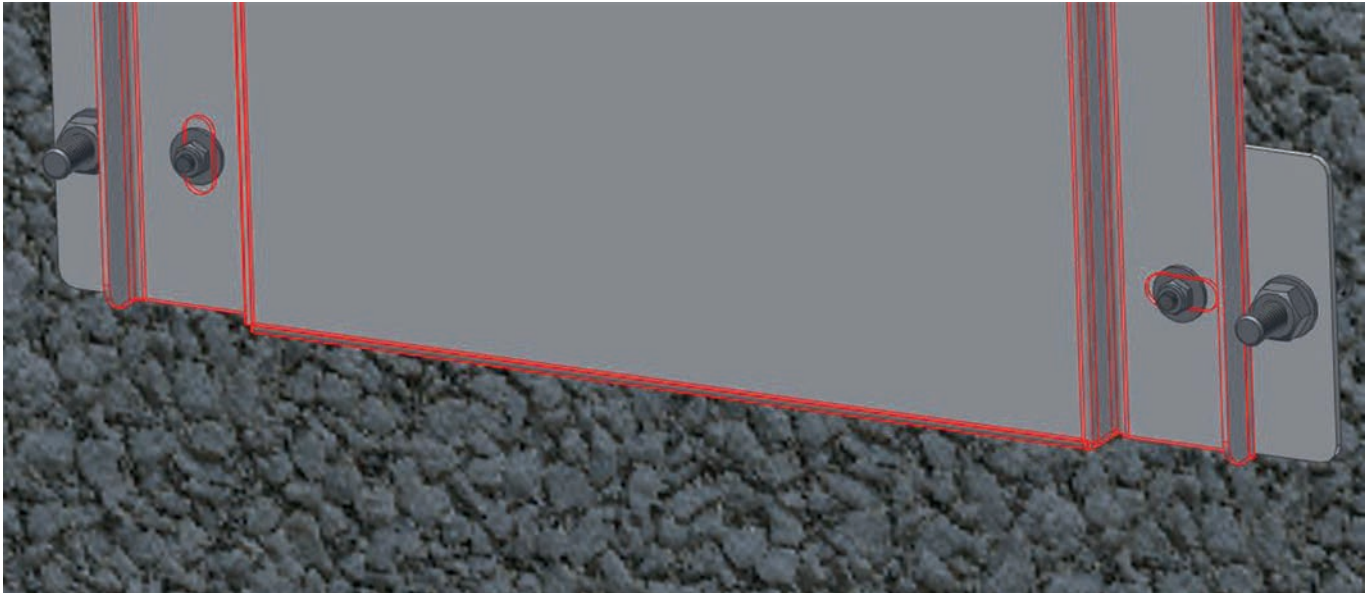


Custom
made



5 year
warranty

The unit should be mounted to a wall in the most standard version. With additional ground brackets, it can also be used without wall support. Min 6 wall concrete screws and a spirit level are required for mounting.

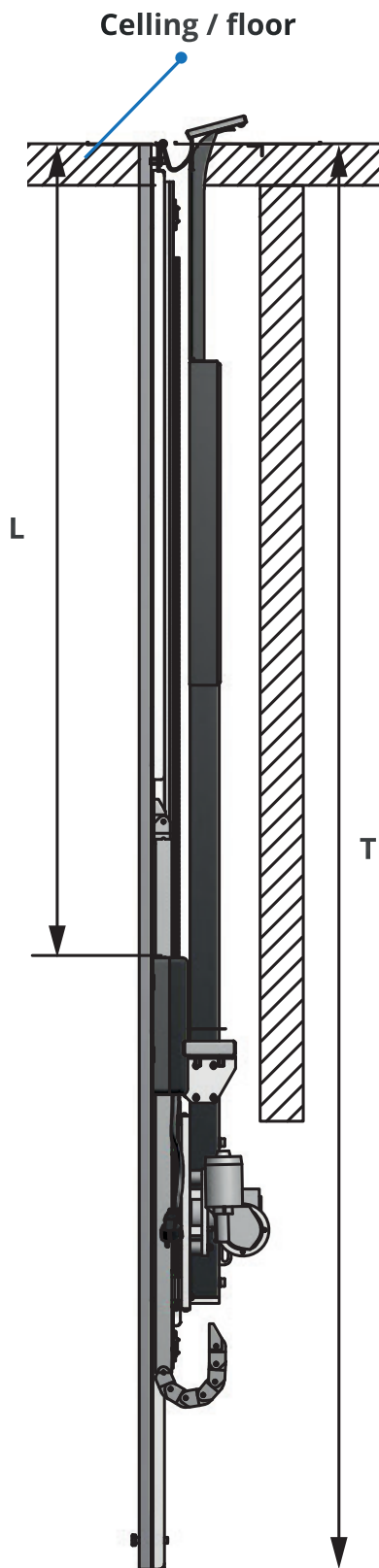


The unit comes with a few leveling pads, as leveling is very important for the lift to work properly.

Important data to be provided by a customer for proper quotation and making a final design:

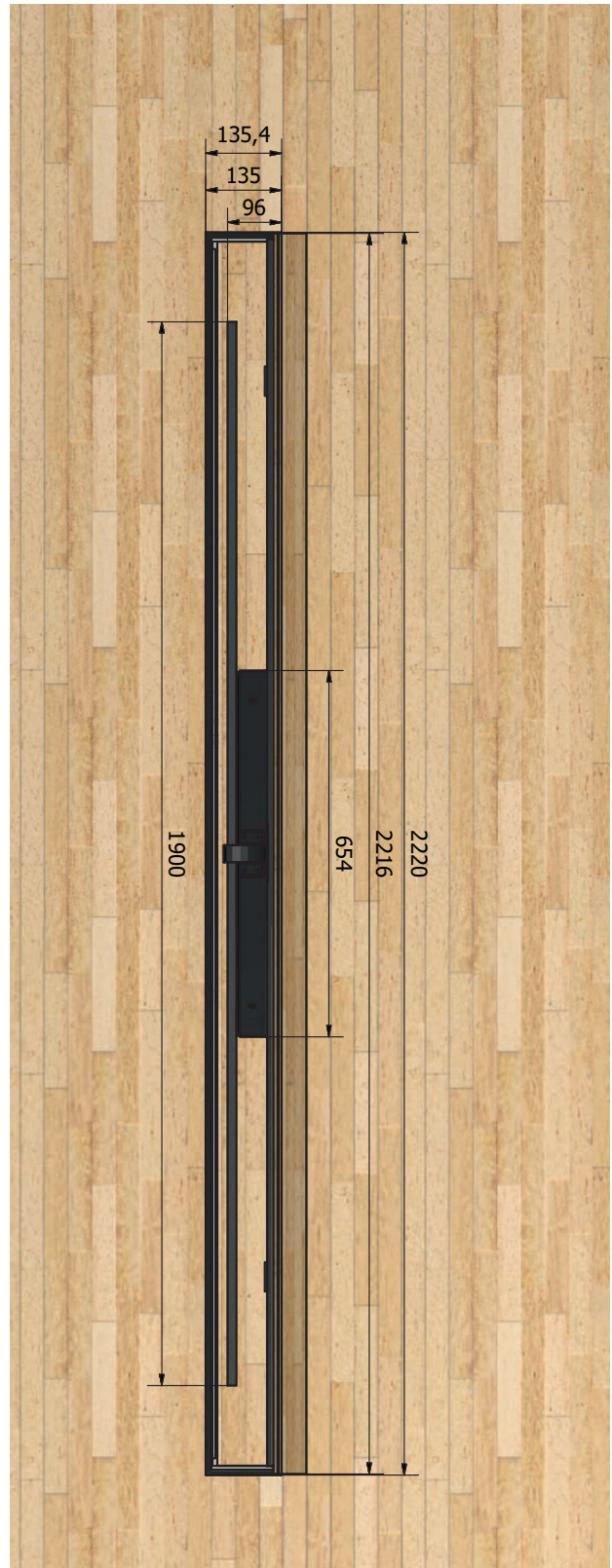
1. TV Weight and dimension (just a TV model is enough).
2. Preferred lifting height measured from floor/ceiling level to closer edge of the screen.
3. Add + 850 mm for lifting height, to achieve full device length when hidden.
4. Space available in mounting place (if there is any condition, that prevents from ensuring space adequate to the TV LIFT).



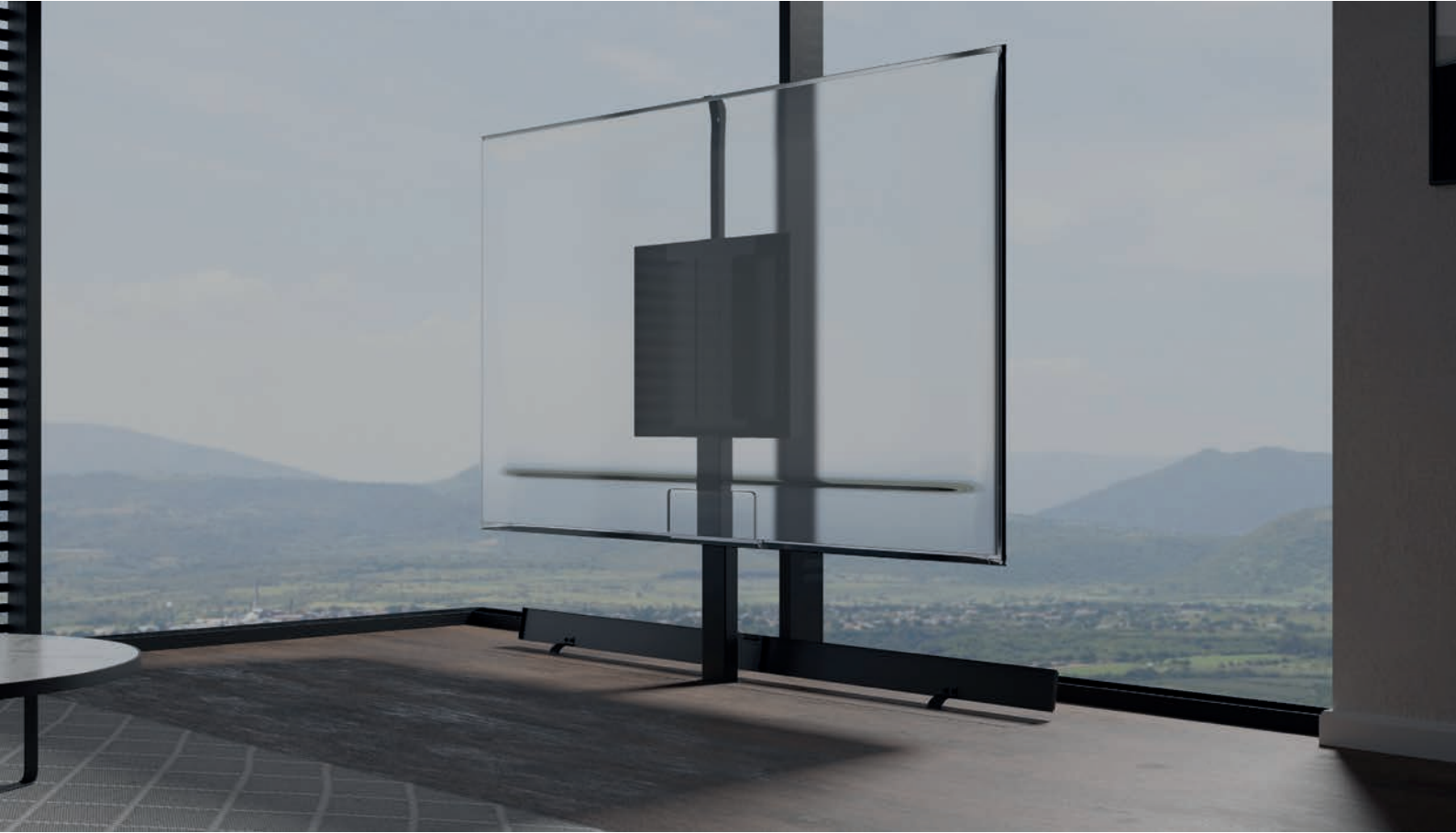


L - lifting height

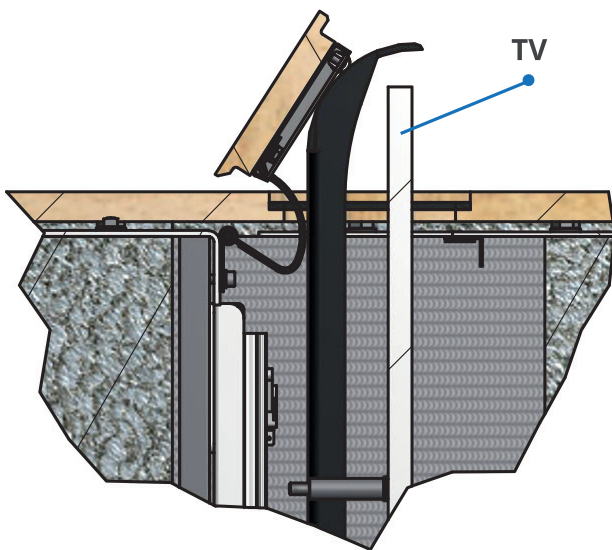
T - total height: $L + 123 \text{ mm}$



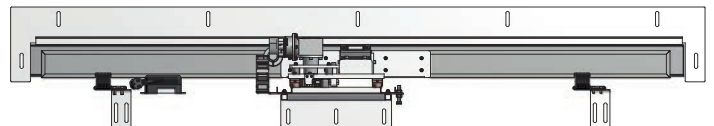
Sample mounting hole and FLOOR LIFT dimensions, customized for 1600 mm width TV.



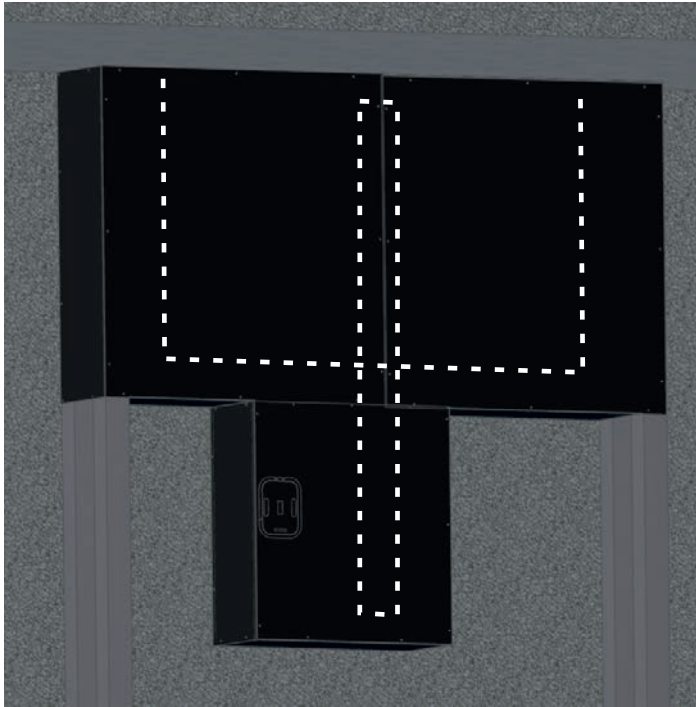
The self-closing lid is either spring-loaded or driven by its weight. A mechanized lid, that hides beneath the floor can be ordered as an option.



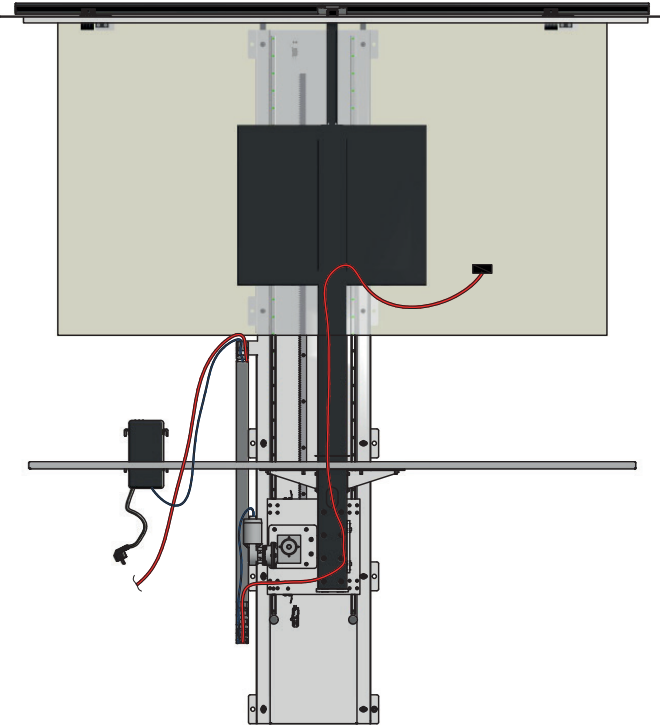
Minimal floor thickness for the lid hinges required: 5 mm. For automatic lid extra space is required as well as extra revision flaps for servicing.



Minimal hole diameters require adding + 120 mm to Screen depth and + 60 mm to Screen width.

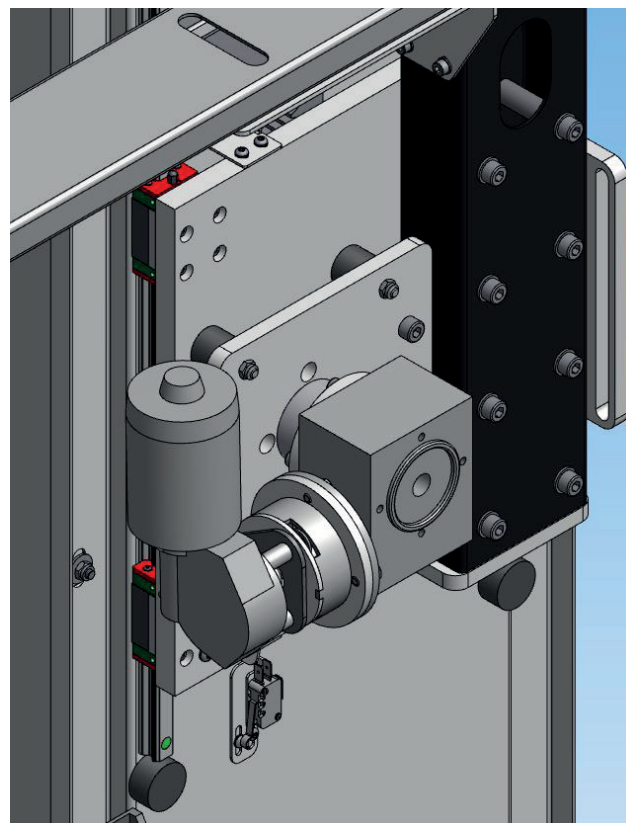
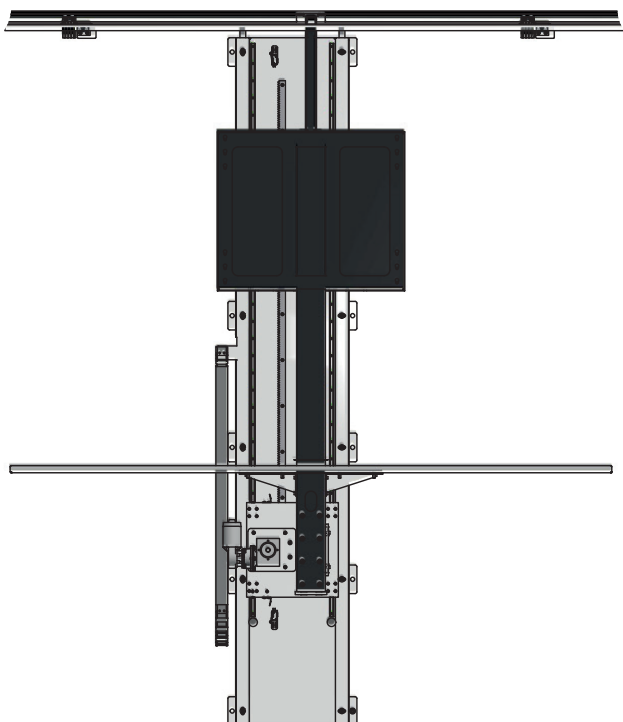


Mechanism enclosure - made of composite panels available per special request.



Comfortable cable guidance - IGUS type retracting cable guide + inner tube openings allow the cables to stay completely hidden.





Specification	Value
Lifting Speed	3 m/min
Unit Voltage/Wattage*	230 V / 50 W
Dimensions	Variable - depending on Tv's size and required lifting height
Safety features	Motor overheat (standard). Extra sensitive safety systems available on special request.
Flap Mechanism	Mechanical, self-closing. Weight or spring-loaded. Automatic flap on special request
Cable guidance	IGUS-type plastic cable guide
Max lifting weight	100 kg
Power guard TV Socket	Yes (Tv can be powered through lift control box)
Height Adjustment	Electro-mechanical (limit switch determined) Pre-defined per screen size when ordering
Drive type	Gear rack + gearmotor
Available controls	IR, RF, Active RJ-45 (all RJ-45 Accessories), Wi-fi ready
Colour	RAL 9005 (standard). Other colors - per special request

* Can also be purchased in 120 V version. All plug types available.



ROOSSTRASSE 53
CH-8832 WOLLERAU
TELEFON +41 55 442 35 45
TELEFAX +41 55 442 61 62
WWW.GUNTLIN.CH/INFO@GUNTLIN.CH
WWW.SHOP.GUNTLIN.CH



Guntlin Elektronik AG