

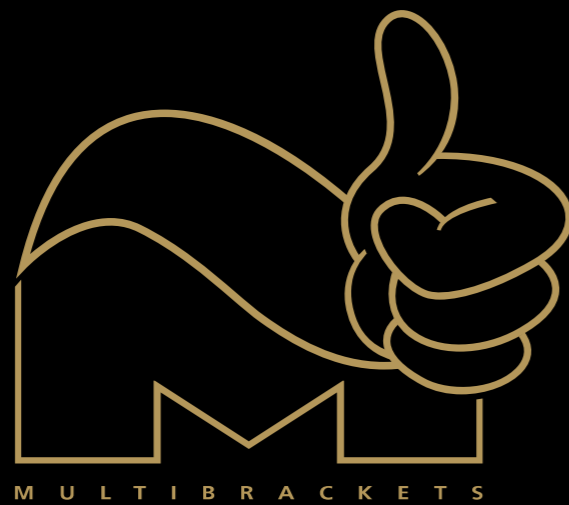


Multibrackets Europe AB

Phone: +46 (0)8 - 615 04 00 Fax: +46 (0)8 - 612 31 73 Mail: support@multibrackets.com

Postal address: Döbelnsgatan 21, 11th floor SE-111 40 Stockholm Sweden

OFFICE SOLUTIONS GAS LIFT ARMS & MONITOR STANDS



AT Multibrackets we know you are not always sitting in the same position whilst at work, so why should your screen stay in the same place? Our series Gas Lift Arm 's is the ultimate desk or wall mount companion to add flexibility and ingenious ergonomics to your LCD monitor. Designed to provide outstanding performance, with a sleek and streamlined outlook, it frees up space and allows to easily position your display for greater productivity. It is ideal for office and home use, especially in situations where several people use the same display or where a user can be both standing up and sitting down. So let your fingertips lift, swing, tilt and rotate your LCD display.

M VESA GAS LIFT ARM BASIC

A triple jointed gas suspended monitor arm, designed by Multibrackets to optimize your productivity and help reducing strain on neck, back and eyes.

The M VESA Gas Lift Arm is made out of a durable aluminum construction and uses a gas driven suspension technique. This makes the screen “float” whilst allowing movement with near zero effort. Sleek and streamlined, the M VESA Gas Lift Arm Single frees up space and allows positioning of your display for greater productivity. Fingertip tilt provides smooth adjustment in any direction. Easily move the screen from landscape to portrait position or move the screen close to the desk, high up, matching almost any desired working position imaginable.

Supports VESA standards 75x75 and 100x100 and holds screens weighing from minimum 2kg and

up to maximum 10kg.

Our M VESA Gaslift Arms utilize real gas lift cylinders. This German invented technology is used for a wide variety of industries and applications.

The gas cylinders make your screen float and moved around by your hand or even fingertip.

The snap on head gives a fast assembly and disassembly of the LCD perfect for any IT department who wants to minimize downtime.

The M VESA Gas Lift Arm Single holds to your standard workdesk (max 50mm), or assemble it using a workdesk thru hole technique.

Available in Silver, Black and White.



SPECIFICATION M VESA Gas Lift Arm Desk or Wall Basic Black

For screen size:	15-32"
VESA standard:	75x75 100x100 mm
Article No:	7 350 022 739 369
Colour:	Black
Screen weight:	Min. 2 kg — Max. 10 kg
Function:	Gas driven piston
Warranty:	2 years
Weight:	2,4 kg
Tilt angle:	+75 — -45 degrees
Turn angle:	+90 — -90 degrees
Rotate:	90 degrees
Distribution package:	3 pcs

M VESA GAS LIFT ARM DESK OR WALL SINGLE

A double jointed gas suspended monitor arm, designed by Multibrackets to optimize your productivity and help reducing strain on neck, back and eyes.

The M VESA Gas Lift Arm is made out of a durable aluminum construction and uses a gas driven suspension technique. This makes the screen "float" and it can then be moved with near zero effort. Sleek and streamlined, the M VESA Gas Lift Arm frees up space and allows positioning of your display for greater productivity. Fingertip tilt provides smooth adjustment in any direction. Easy move the screen from landscape to portrait position or move the screen close to the desk, high up, matching almost any wanted working position imaginable.

Supports VESA standards 75x75 and 100x100 and holds screens weighing from minimum 2kg and up to maximum 10kg. This interval is important to keep due to the gas driven piston that keeps your screen floating in the air.

Our M VESA Gaslift Arms utilize real gas lift cylinders. This German invented technology is used for a wide variety of industries and applications.

The gas cylinders allow your screen float and move around with a hand or just a fingertip. The snap on head gives a fast removal or attachment of your Monitor. Perfect for any IT department wishing to minimize downtime.

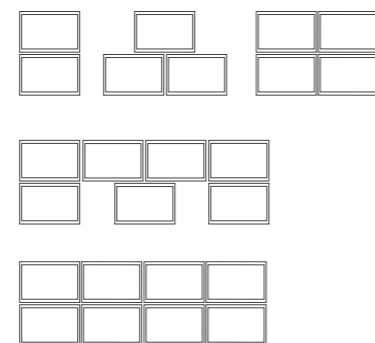
The M VESA Gas Lift Arm Basic attaches to your a standard workdesk (max 50mm), or workdesk through hole technique.

Available in Silver, Black and White.

SPECIFICATION M VESA Gas Lift Arm Single Black

For screen size:	15-32"
VESA standard:	75x75 100x100 mm
Article No.:	7 350 022 737 150
Colour:	Black
Screen weight:	Min. 2 kg — Max. 10 kg
Function:	Gas driven piston
Warranty:	2 years
Weight:	3,4 kg
Tilt angle:	+75 — -45 degrees
Turn angle:	+90 — -90 degrees
Rotate:	90 degrees
Distribution package:	3 pcs
Single box size:	49x19x14cm
Distribution box size:	48x21x43cm

EXAMPLES FOR MULTIPLE LCD'S.



M DUO DESKMOUNT

Mount two arms side by side. Saving desk space, keeping stability.



Want to configure several LCD 's side by side? Want to easily change the position of your LCD screens with near zero effort?



M VESA GAS LIFT ARM DUAL

Tired of a workdesk all jammed up by screens?

Want to have the possibility within seconds to have the best viewing angle for a sitting or standing position, in landscape or portrait mode?

The M Vesa Gas Lift Arm I Dual will do all that, and reclaim your worksurface!

The Dual triple jointed gas suspended monitorarm was designed by Multibrackets to optimize your productivity and help reducing strain on neck, back and eyes.

The M Vesa Gas Lift Arm is made out of a durable aluminum construction and uses a gas driven suspension technique. This makes the screens "float" and be moved with little effort. Sleek and streamlined, the M Vesa Gas Lift Arm frees up space and allows positioning with smooth adjustment for two LCD's in any direction. Easily move the screen from landscape to portrait position or move the screens close

to the desk, high up, matching almost any wanted working position imaginable.

Supports VESA standards 75x75 and 100x100 and holds screens weighing from minimum of 2kg and up to maximum of 10kg each.

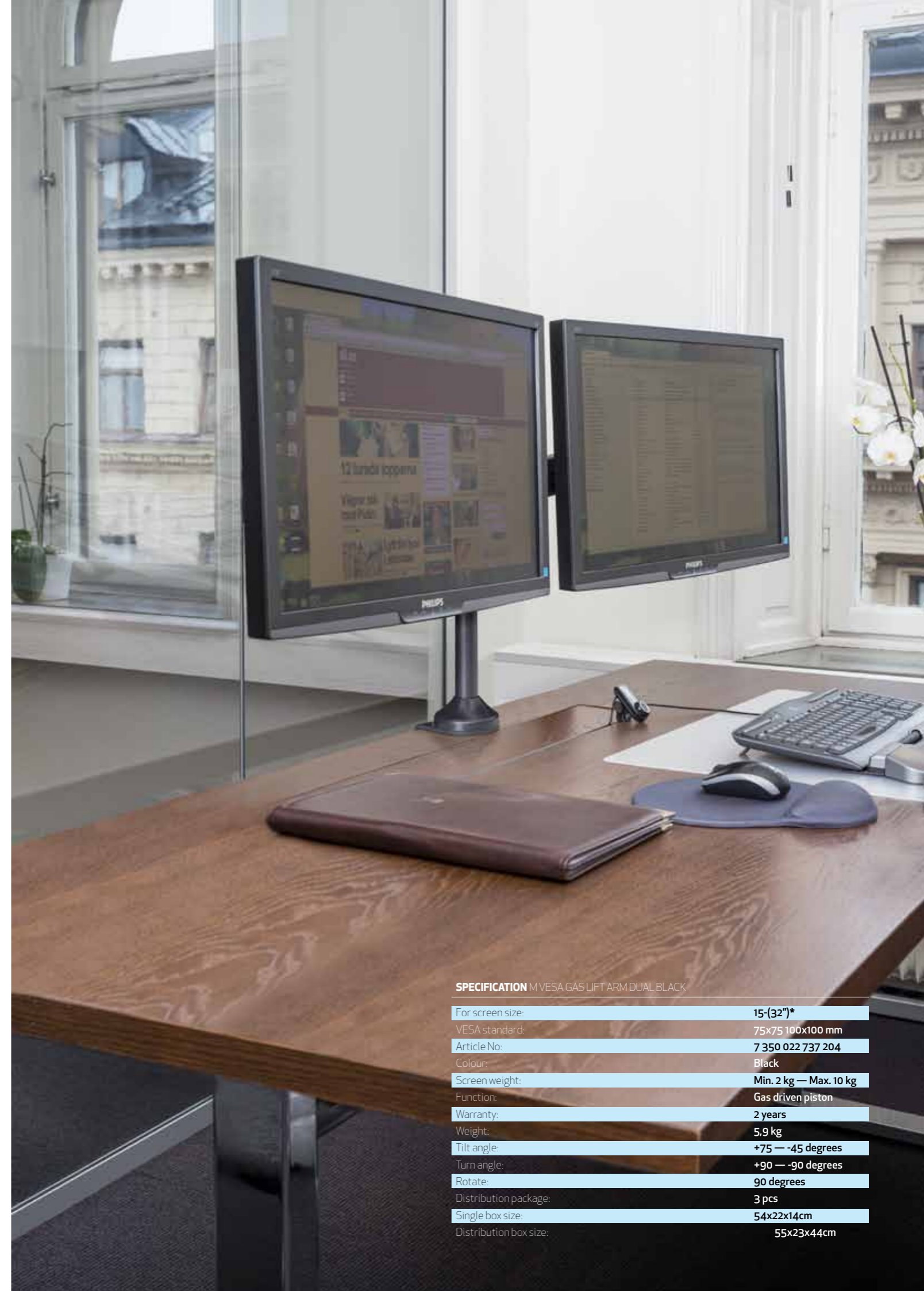
Our M VESA Gaslift Arms utilize real gas lift cylinders. This German invented technology is used for a wide variety of industries and applications.

The gas cylinders allow your screen to float and be moved around by hand or even fingertip.

The snap on heads allow a fast removal and attachment of your monitor. Perfect for any IT department wishing to minimize downtime.

The M Vesa Gas Lift Arm Dual attaches to your standard workdesk (max 50mm), or using a workdesk through hole technique.

Available in Silver, Black and White.



SPECIFICATION M VESA GAS LIFT ARM DUAL BLACK

For screen size:	15-(32")*
VESA standard:	75x75 100x100 mm
Article No:	7 350 022 737 204
Colour:	Black
Screen weight:	Min. 2 kg — Max. 10 kg
Function:	Gas driven piston
Warranty:	2 years
Weight:	5,9 kg
Tilt angle:	+75 — -45 degrees
Turn angle:	+90 — -90 degrees
Rotate:	90 degrees
Distribution package:	3 pcs
Single box size:	54x22x14cm
Distribution box size:	55x23x44cm

Want to configure several LCD's side by side? Want to easily change the position of your LCD screens with near zero effort? Tired of a workdesk all jammed up by screens? Want to have the possibility to within seconds best viewing angle for sitting or standing position, landscape or portrait mode?



Available in Silver, Black and White.

M VESA GAS LIFT ARM QUAD

The M Vesa Gas Lift Arm I Quad will do all that, and reclaim your work-surface!

The Quad triple jointed gas suspended monitorarm was designed by Multibrackets to optimize your productivity and help reducing strain on neck, back and eyes.

The M Vesa Gas Lift Arm is made out of a durable aluminum construction and uses a gas driven suspension technique. This makes the screens "float" allowing movement with near zero effort. Sleek and streamlined, the M Vesa Gas Lift Arm frees up space and allows positioning of your displays for greater productivity. Fingertip tilt provides smooth adjustment for two LCD's in any direction. Easily move the screen from landscape to portrait position or move the screens close to the

desk, high up, matching almost any wanted working position imaginable. Supports VESA standards 75x75 and 100x100 and holds screens weighing from minimum of 2kg and up to maximum of 10kg each.

Our M VESA Gaslift Arms utilize real gas lift cylinders. This German invented technology is used for a wide variety of industries and applications.

The gas cylinders make your screen float and moved around by your hand or even fingertip.

The snap on heads allow a fast removal and attachment of the LCD. Perfect for any IT department wishing to minimize downtime. The M Vesa Gas Lift Arm Quad holds to your standard workdesk (max 50mm), or using a workdesk through hole technique.



SPECIFICATION M VESA GAS LIFT ARM I QUAD BLACK

For screen size:	15-(32")*
VESA standard:	75x75 100x100 mm
Article No.:	7 350 022 737 235
Colour:	Black
Screen weight:	Min. 2 kg — Max. 10 kg
Function:	Gas driven piston
Warranty:	2 years
Weight:	10,3 kg
Tilt angle:	+75 — -45 degrees
Turn angle:	+90 — -90 degrees
Rotate:	90 degrees
Distribution package:	1 pcs
Single box size:	95x25x14cm
Distribution box size:	95x25x14cm



SINGLE



DUAL



QUAD

M VESA GAS LIFT ARM DUAL

PRODUCT FEATURES		TECHNICAL PARAMETER											
<ul style="list-style-type: none"> Easy to adjust the monitor angle and position to satisfy the different view. Use the gas cylinder adjust design, make free up & down movement for the monitors. Original dual-gas spring design makes the monitors adjustment separately without interference by each other. 												Desk thickness application (mm)	
LCD Size	Wt.Capacity(kg)	Lift(mm)	Tilt	Swivel	Pivot	VESA	Packing size(mm)	NW (kg)	GW(kg)	Thru desk	desk clamp		
15-32"	2-10	340	+75° ~ -45°	±90°	±90°	75*75 100*100	Inner: 6 Outer: 20 Innerouter: 31	Inner: 6 Outer: 20	30	80			

*Important regarding maximum screen size: Check prior to purchase. The Gas Lift Arm series is a very flexible product series and can handle many screen models. When using double or quad monitors in combination with very large screens of size 24", 27", 30" or even 32" it is important to double check the compatibility with the Gas Lift Arm before usage.

Product Dimensions

Multifunctional adjustment figure

M VESA GAS LIFT ARM DESK OR WALL SINGLE

PRODUCT FEATURES		TECHNICAL PARAMETER											
<ul style="list-style-type: none"> Easy to adjust the monitor angle and position to satisfy the different view. Use the gas cylinder adjust design, make free up & down movement for the monitors. Simple installation design makes more flexible in using at narrow place. 												Desk thickness application (mm)	
LCD Size	Wt.Capacity(kg)	Lift(mm)	Tilt	Swivel	Pivot	VESA	Packing size(mm)	NW (kg)	GW(kg)	Thru desk	desk clamp		
15-32"	2-10	340	+75° ~ -45°	±90°	±90°	75*75 100*100	Inner: 4.75*10.5 Outer: 10.5 Innerouter: 31	Inner: 3.5 Outer: 10.5	Inner: 3.8 Outer: 11.9	60	60		

*Important regarding maximum screen size: Check prior to purchase. The Gas Lift Arm series is a very flexible product series and can handle many screen models. When using double or quad monitors in combination with very large screens of size 24", 27", 30" or even 32" it is important to double check the compatibility with the Gas Lift Arm before usage.

Product Dimensions

Multifunctional adjustment figure

M VESA GAS LIFT ARM QUAD

PRODUCT FEATURES		TECHNICAL PARAMETER											
<ul style="list-style-type: none"> Easy to adjust the monitor angle and position to satisfy the different view. Use the gas cylinder adjust design, make free up & down movement for the monitors. Save space of desktop in suspending 4 monitors in one arm. 												Desk thickness application (mm)	
LCD Size	Wt.Capacity(kg)	Lift(mm)	Tilt	Swivel	Pivot	VESA	Packing size(mm)	NW (kg)	GW(kg)	Thru desk	desk clamp		
15-32"	2-10	340	+75° ~ -45°	±90°	±90°	75*75 100*100	885*250*130	10.3	11.5	30	80		

*Important regarding maximum screen size: Check prior to purchase. The Gas Lift Arm series is a very flexible product series and can handle many screen models. When using double or quad monitors in combination with very large screens of size 24", 27", 30" or even 32" it is important to double check the compatibility with the Gas Lift Arm before usage.

Product Dimensions

Multifunctional adjustment figure



M WALL ADAPTER BASIC

Would you like to mount your Gas Lift Arm onto the wall? Here is an accessory helping you solve that problem with quality and ease. With the M Wall Adapter Basic you can mount your M VESA Gas Lift Arm Basic on a wall and move the screen to any position needed.

Now you can lift, swing or turn your display in any direction from a wall mounted Gas Lift solution. Effortlessly move a wall mounted screen on a Gas Lift arm into multiple positions with only a light touch. Your screen will seemingly float on air, being easily adjusted between standing and seated heights. No more awkward viewing angles and sore necks whilst easily allowing you to fold up your screen out of the way when not in use.

Available in white, black and silver colors it matches your Gas Lift Arm perfectly.

SPECIFICATION M WALL ADAPTER BASIC SILVER

Suitable for:	M VESA Gas Lift Arm
Basic:	(7 350 022 739 376)
Article No:	7 350 073 731 343
Colour:	Silver
Weight:	2 kg
Warranty:	5 years



M WALL ADAPTER SINGLE

Would you like to mount your Gas Lift Arm onto the wall? Here is an accessory helping you solve that problem with quality and ease. With the M Wall Adapter Basic you can mount your M VESA Gas Lift Arm Basic on a wall and move the screen to any position needed.

Now you can lift, swing or turn your display in any direction from a wall mounted Gas Lift solution. Effortlessly move a wall mounted screen on a Gas Lift arm into multiple positions with only the lightest touch. Your screen will seemingly float on air, being easily adjusted between standing and seated heights. No more awkward viewing angles and sore necks and easily fold up your screen out of the way when not in use.

Available in white, black and silver colors it matches your Gas Lift Arm perfectly.

SPECIFICATION M WALL ADAPTER BASIC WHITE

Suitable for:	M VESA Gas Lift Arm
Basic:	(7 350 022 739 383)
Article No:	7 350 073 731 336
Colour:	White
Weight:	2 kg
Warranty:	5 years

CHANGE COMPUTER MONITOR IN JUST SECONDS

M VESA 75 100 Quick Release Plate

This unique holder consists of a VESA based centerpiece with a pre-mounted quick release connector that suits M VESA Gas Lift Arm Series.

With M VESA Quick Release Plate you can always have an extra screen ready with this quick release mount already attached and exchange

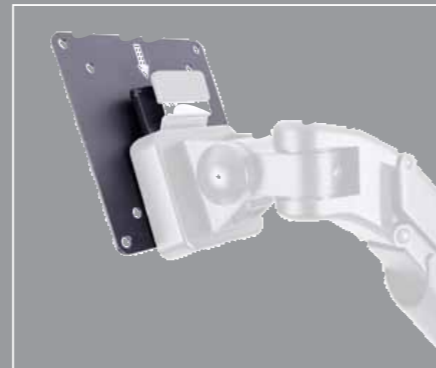
SPECIFICATION M VESA 75 100 QUICK RELEASE PLATE BLACK

Suitable for:	M VESA Gas Lift Arm or any other VESA mount
VESA standard:	75x75 100x100 mm
Article No:	7 350 022 739 529
Colour:	Black
Weight:	0,5 kg
Warranty:	5 years

it fast if you ordinary screen breaks down. This is useful in fast pace environments such as trading rooms, security centers etc.

M VESA Quick Release Plate is VESA compatible, so it can be mounted onto almost any VESA specified screen with VESA standard 75x75 or 100x100.

This item is especially suited to IT departments allowing standardization reducing downtime and accelerating productivity.

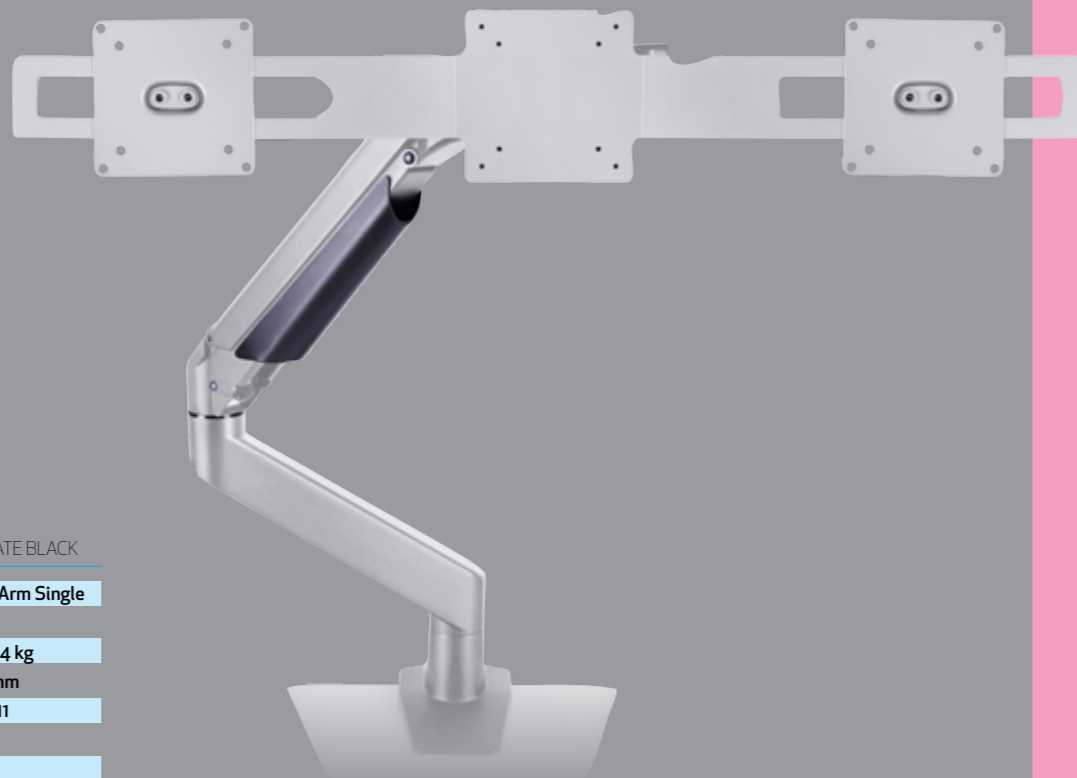


M VESA 75 100 DUO Quick Release Plate

Double screens on your M VESA Gaslift Single with the all new M VESA 75 100 Duo Quick Release Plate. With this unique accessory your gas lift arm holds two displays at the same time.

SPECIFICATION M VESA 75 100 DUO QUICK RELEASE PLATE BLACK

Suitable for:	M VESA Gas Lift Arm Single
For screen size:	2 x 17-23"
Screen weight/screen:	Min. 1 kg — Max. 4 kg
VESA standard:	75x75 100x100 mm
Article No:	7 350 073 730 711
Colour:	Black
Weight:	2 kg
Warranty:	5 years



M LAPTOP HOLDER GAS LIFT ARM

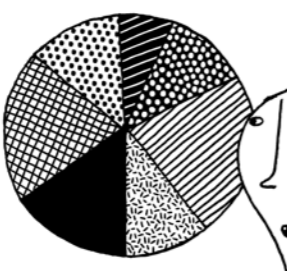
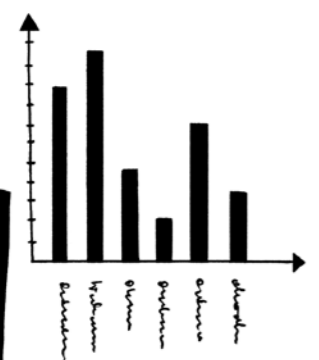
The M Laptop Holder Gas Lift Arm, fits your gas lift arm perfectly.

This unique holder consists of a VESA based centerpiece and its connected holding arms that gently grab your laptop. The M Laptop Holder Gas Lift Arm is VESA compatible, so it can be mounted onto almost any VESA specified wall-mount, arm or desktop mount. However this laptop holder is designed to work with M VESA Gas Lift Arm.

SPECIFICATION M LAPTOP HOLDER GAS LIFT ARM WHITE

Suitable for:	M VESA Gas Lift Arm or any other VESA mount
VESA standard:	100x100 mm
Article No:	7 350 022 737 518
Colour:	White
Weight:	0,5 kg
Warranty:	5 years





ARRIVALS ANKOMMANDE			
FLIGHT	FROM	GATE	TIME

DEPARTURES AVGÅNGAR			
FLIGHT	TO	GATE	TIME

MARKET

BRACKETS

BRACKETS



M VESA DESKTOPMOUNT SINGLE STAND 24"-32"

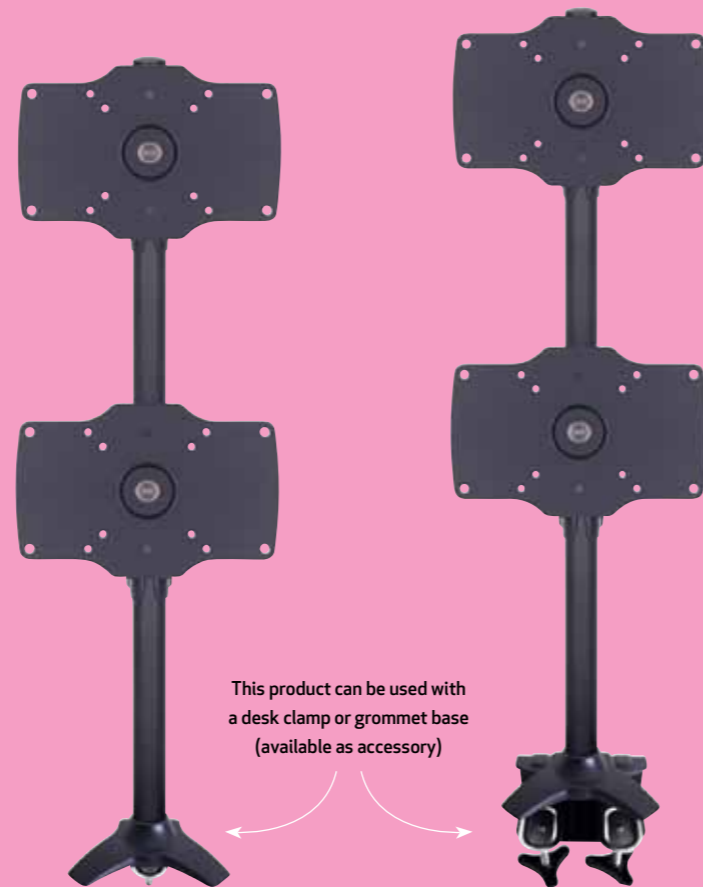
M VESA Desktopmount Single Stand. A heavy duty single monitor desk stand made for the professional user. .

The perfect partner for a user of larger monitors up to 32" in the need of a powerful, stable and well balanced installation. This product allows many types of configurations, and expansions. If you are in need of a strong stand for single or multiple monitors, the M VESA Desktopmount Single Stand could be your choice.

Start conserving desk space by one, two or up to six panels on a single base. Easily add a second flat panel by adding the M VESA Desktopmount Single Expansion Kit (sold separately) to make it a dual monitor installation perfect for example, for daytraders or surveillance installations.

SPECIFICATION M VESA DESKTOPMOUNT SINGLE STAND 24"-32"

For screen size:	24"-32"
VESA standard:	75x75, 100x100, 200x100
Article No.:	7 350 022 737 396
Weight:	3.5 kg
Colour:	Black
Max load:	15 kg for each screen
Tilt:	Up to +/-20 degrees for each screen
Rotate:	Up to +/-90 degrees for each screen
Yaw:	Not available
Warranty:	5 years

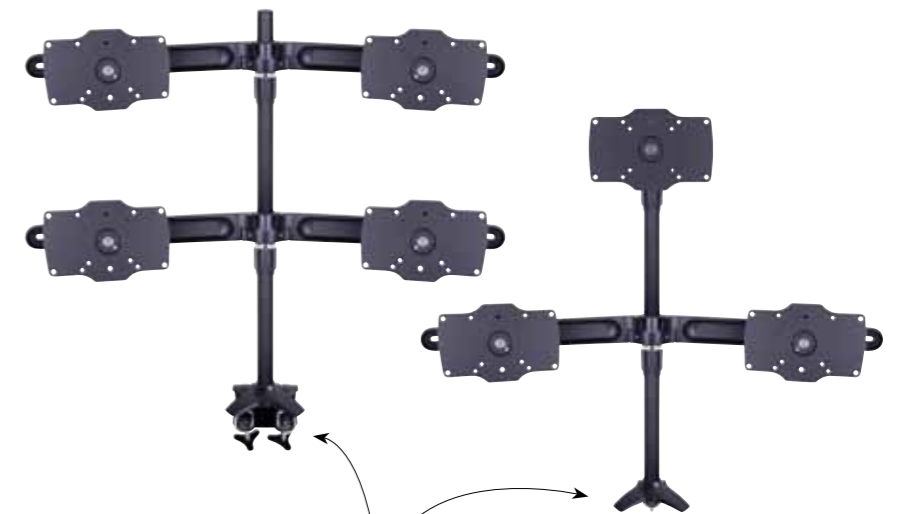


M VESA DESKTOP- MOUNT DUAL STAND 24"-32"

Let us introduce the M VESA Desktopmount Dual Stand. A heavy duty single monitor desk stand made for the professional user.

Start conserving desk space by two or four panels on a single base. Easily add a second row of flat panels by adding the M VESA Desktopmount Dual Expansion Kit (sold separately) to make a Quad monitor installation useful for many types of installation needs.

M VESA Desktopmount Dual Stand is the perfect partner for a user of larger monitors up to 32" and for those in the need of a powerful, stable and well balanced installation. This product allows many types of configurations, and expansions. If you are in need of a strong stand for two or more monitors installed side by side.



This product can be used with a desk clamp or grommet base (available as accessory)

SPECIFICATION M VESA DESKTOPMOUNT DUAL STAND 24"-32"

For screen size:	24"-32"
VESA standard:	75x75, 100x100, 200x100
Article No.:	7 350 022 737 419
Weight:	4,5 kg
Colour:	Black
Max load:	15 kg for each screen
Tilt:	Up to +/-20 degrees for each screen
Rotate:	Up to +/-90 degrees for each screen
Yaw:	+/-10 degrees
Warranty:	5 years

CREATE EYEFINITY® FOR SCREENS UP TO 24".
PERFECT FOR GAMERS, DESIGNERS OR ARCHITECTS AND MANY MORE.
POSITION YOUR MONITORS PERFECTLY FOR MAXIMUM PRODUCTIVITY.
PORTRAIT OR LANDSCAPE VIEWING POSSIBLE.

M VESA DESKTOP- MOUNT TRIPLE STAND

Introducing the M VESA Desktop-mount Triple Stand. A heavy duty triple monitor desk stand made for the selected user. This product allows many types of configurations, and expansions. If you are in need to be surrounded by eyefinity® the strong stand for multi-monitor, M VESA Desktopmount Triple Stand should be your choice.

Start conserving desk space by suspending three flat panels on a single base. Easily add three more flat panels by adding the M VESA Desktop-mount Triple Stand Expansion Kit (sold separately) to make it a 6 monitor solution.

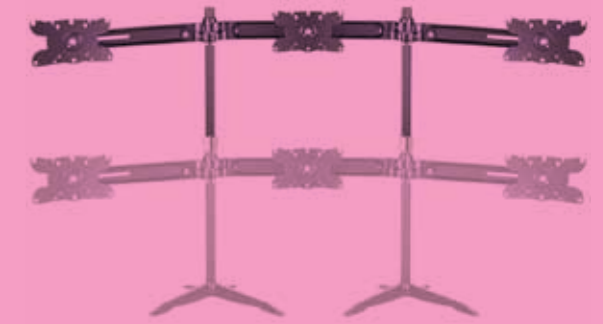
Use it free standing or with a desk clamp or grommet base.

SPECIFICATION M VESA DESKTOPMOUNT TRIPLE STAND 15"-24"

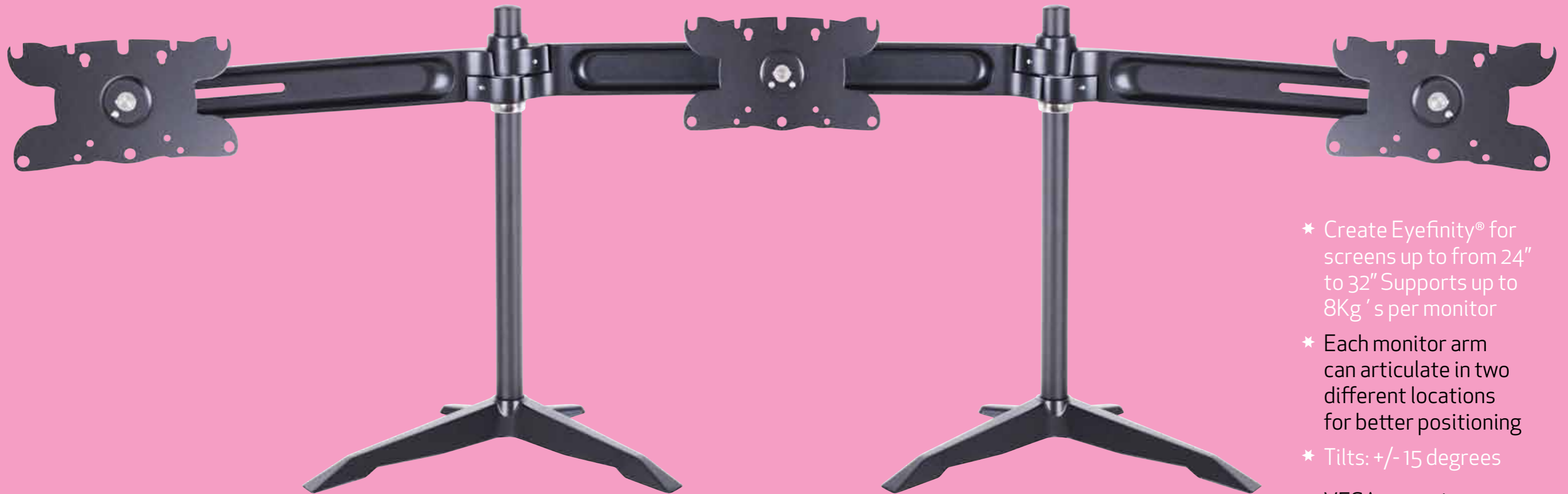
For screen size:	15"-24" (Max screen width: 575 mm)
VESA standard:	75x75 100x100
Article No:	7 350 022 734 999
Size in mm:	1280x370x307(W*H*D)
Weight:	5,3 kg
Colour:	Black
Max load:	8 kg for each screen
Tilt:	Up to +/-20 degrees for each screen
Rotate:	Up to +/-90 degrees for each screen
Yaw:	+/-10 degrees
Warranty:	5 years
Single box size:	57x35x14cm
Distribution box size:	58x45x38cm



M VESA DESKTOPMOUNT TRIPLE STAND 24"-32"



Add 3 screen expansion kit for a 6 screen solution



Meet the M VESA Desktopmount Triple Stand 24"-32" our latest triple desktop mount made for Large size LCD 's.

This pure heavy duty triple monitor desk stand is made for the professional user who needs the hard to find triple desktop mount for larger screens up to 32". This product allows many types of configurations and expansions.

Made out of durable aluminum and steel creating a heavy duty but still sleek product with great stability makes M VESA Desktopmount Triple Stand 24"-32" one of the most stable multi-monitor solutions on the market today.

The included feet solution can also eas-

ily be exchanged with the M Desktopmount Triple Stand Desk Clamp or Grommet base (sold separately) for even better conservation of desk space.

With an abundance of experience in manufacturing Multiple LCD Monitor stands since our establishment, we have grown to understand the market leading our development for multiple monitor desk stand solutions, creating the latest and most innovative screen solutions the market can offer.

SPECIFICATION M VESA DESKTOPMOUNT TRIPLE STAND 24"-32"

For screen size:	24"-32"
VESA standard:	75x75 / 100x100 / 200x100 mm
Optional VESA:	200x200 mm
Article No:	7 350 073 731 312
Size in mm:	1696x504x135 (W*H*D)
Weight:	7 kg
Colour:	Black
Material:	Steel/ Aluminium Alloy/ Plastic
Max load:	8 kg for each screen
Tilt:	+15 / -10 degrees
Rotate:	Up to +/-360 degrees for each screen
Swivel:	+/-15 degrees
Warranty:	5 years

- ★ Create Eyefinity® for screens up to from 24" to 32" Supports up to 8Kg 's per monitor
- ★ Each monitor arm can articulate in two different locations for better positioning
- ★ Tilts: +/- 15 degrees
- ★ VESA mounting patterns: 75 x 75, 100 x 100 and 200x100
- ★ Heavy duty weighted metal base and feet ensures a stable position on the desk.
- ★ Possible to mount the triple stand to the desk (accessories)

www.multibrackets.com