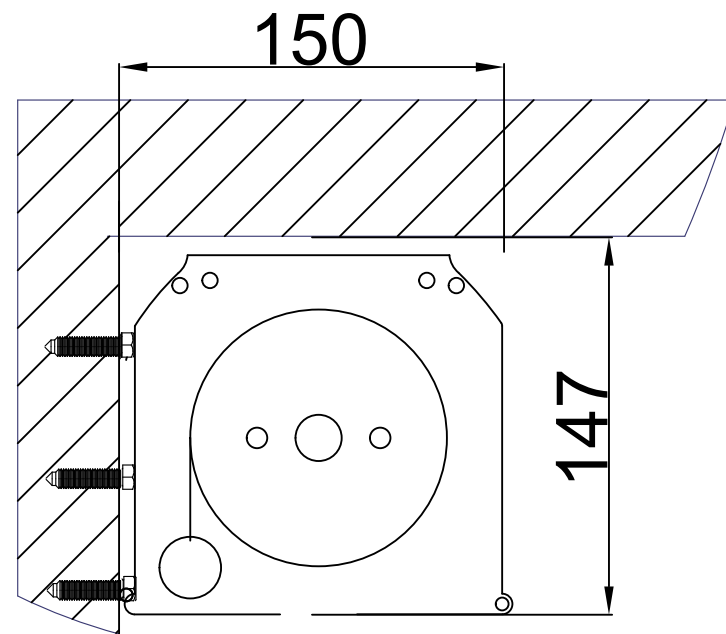
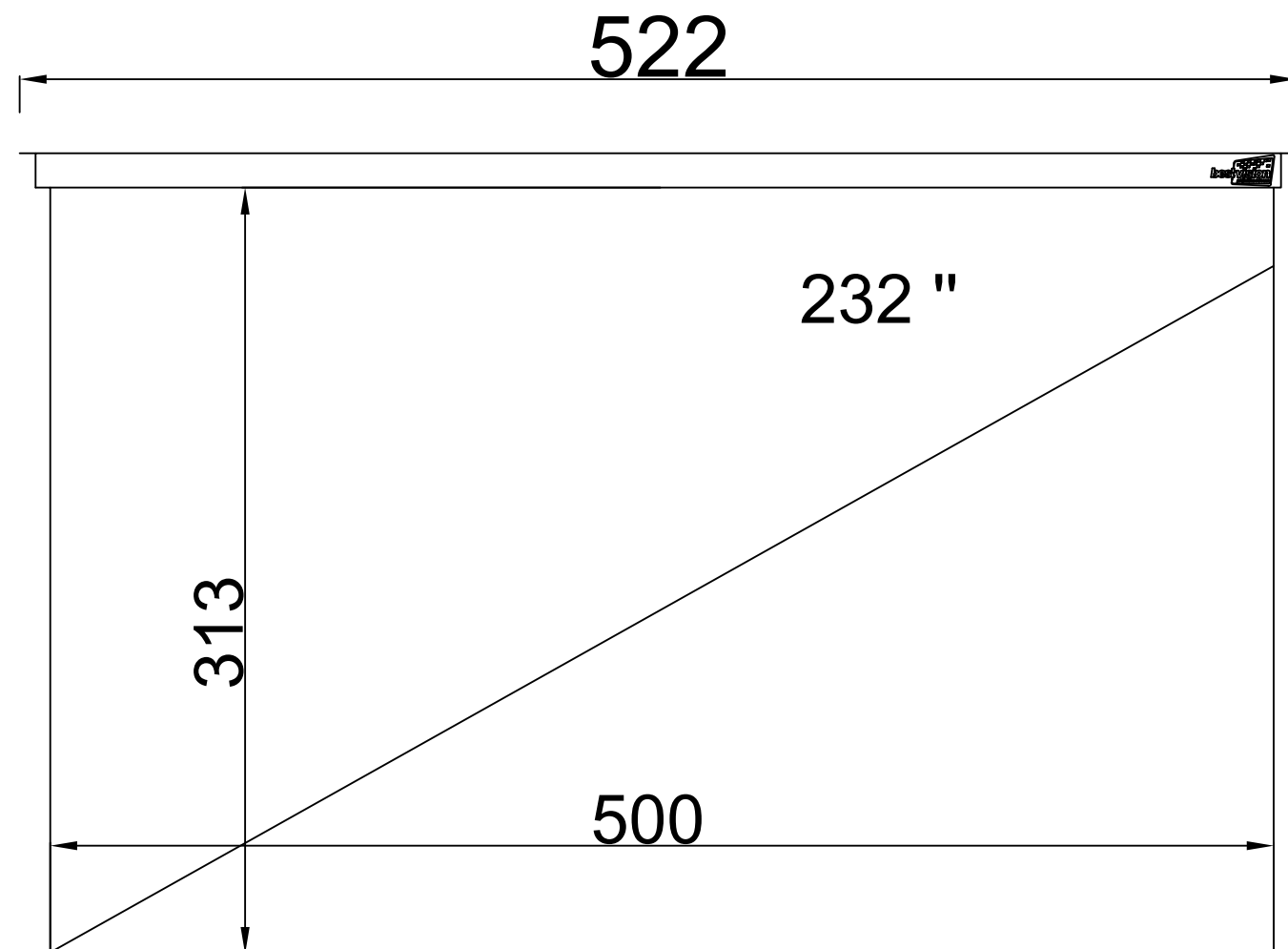
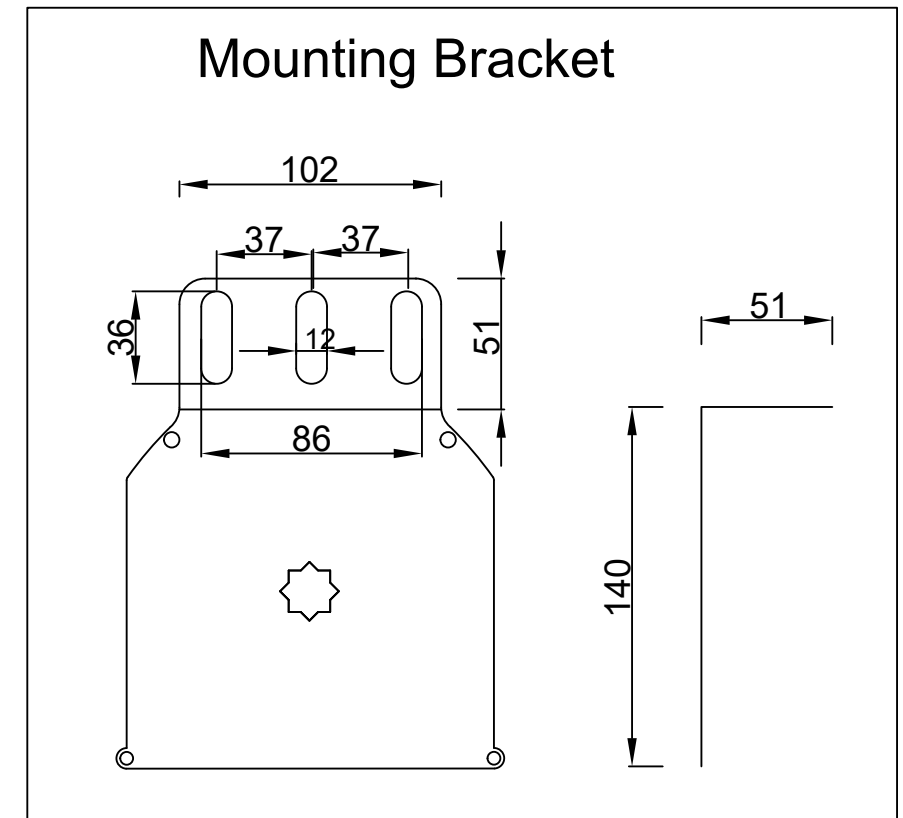
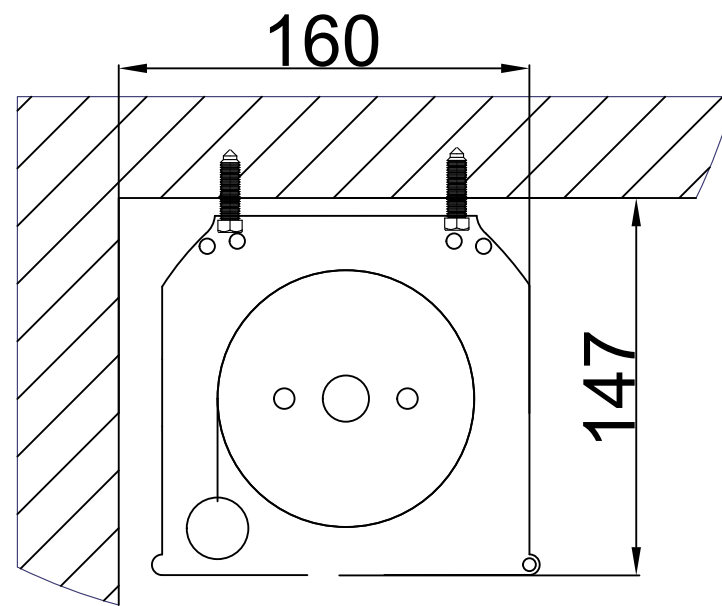


Wall Install



MM

Ceiling Install



CM

LARGE

500cmx313cm

16:10

232"

220v-230v 345w

Suitable for otomation systems,
rf remote control or button.

Packing Size:

530cmx19cmx19cm 75 KG



Projection Screen & Lift Systems

Tel:0212-250 60 07 Fax:0212-250 60 08

www.bestvision.com.tr