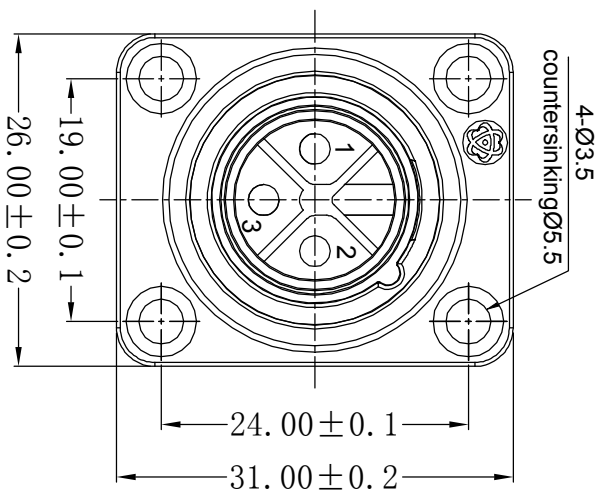
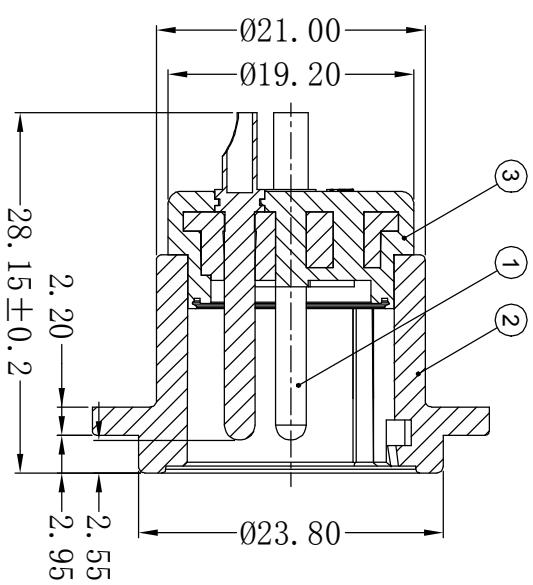
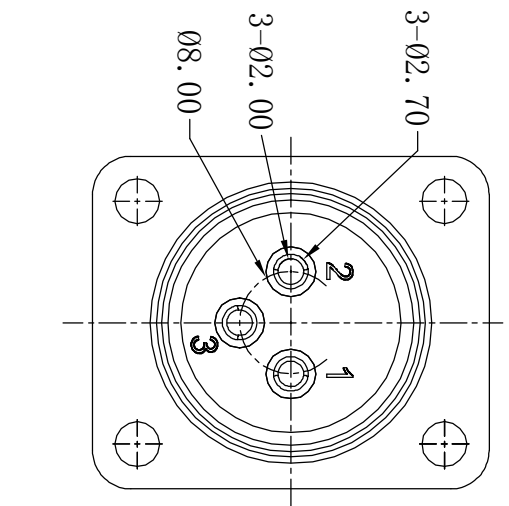
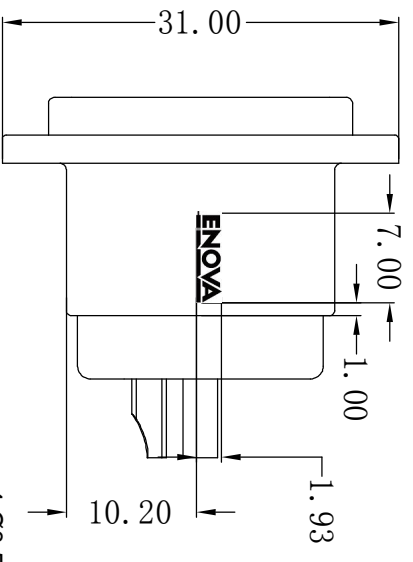


REVIEWS	
ISS	ZONE
	DESCRIPTION\PER REQUEST\DATE
V	OPEN
	Open drawings to customers



DIMENSIONS ARE IN MILLIMETERS		APPROVED	DATE
UNLESS OTHERWISE SPECIFIED		CHECKED	DATE
TOLERANCES		DRAWN	DATE
ANGLES = ±5°		HAONANHU	2019-8-27
UP TO 6 = ±0.2		FILE NO.	
6-40 = ±0.4		ERP LINK:	
40-120 = ±0.6		THIRD_ANGLE	
120-315 = ±1		SCALE	2/1
ABOVE 315 = ±1.6			

Connector Distribution GmbH		TITLE	3P XLR PANEL WATERPROOF CONNECTOR
		FILE NO.	SILVER PLATED PIN
		PART NO.	XL13MB-W
		REV.	A1

NO.	DESCRIPTION	MATERIAL	FINISH	Q'TY	DRAWING NO.
3	ENCAPSULATE	TPR	ORANGE	1	
2	PLASTIC BASE	PA	SILVER	1	
1	PIN	H59-1	SILVER	3	

1 2 3 4 5 6 7 8