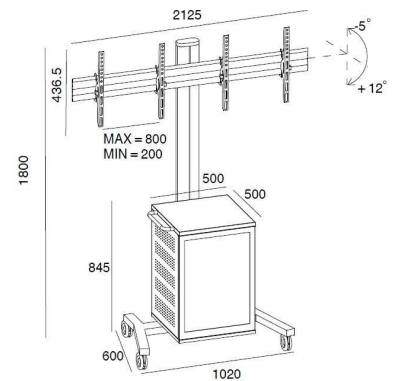




Ready when you are.



M Public Display Stand 180 Dual MediaBox4

Art No: Black 7 350 022 737 785, Silver 7 350 022 737 778

Multibrackets Public Display Stand 180 Dual Media-Box4 is mainly made out of a light weight aluminum construction. M Multibrackets Public Display Stand

can be used with screens in a standard landscape mode or a portrait mode. The massive Mediabox4 stores all needed equipment.

SPECIFICATIONS

M Public Display Stand 180 Dual MediaBox4	
For screen size:	40-55" for each screen
Feature:	Safe storage for electronic equipment
VESA standard:	Up to 800x400 mm
EAN: Black, Silver	7 350 022 737 785, 7 350 022 737 778
Size in mm: (WxDxH)	available in a moment
Adjustable height / Tilt:	Yes / Yes
Weight:	available in a moment
Colours:	Black and silver
Max load per screen:	40 kg
DVD Shelf / Camera holder:	Optional, not included
Power rail 220V:	Built-in
Package size:	available in a moment
Screen position:	Landscape
Wheels:	Included
Mount to floor:	No
Warranty:	5 years

