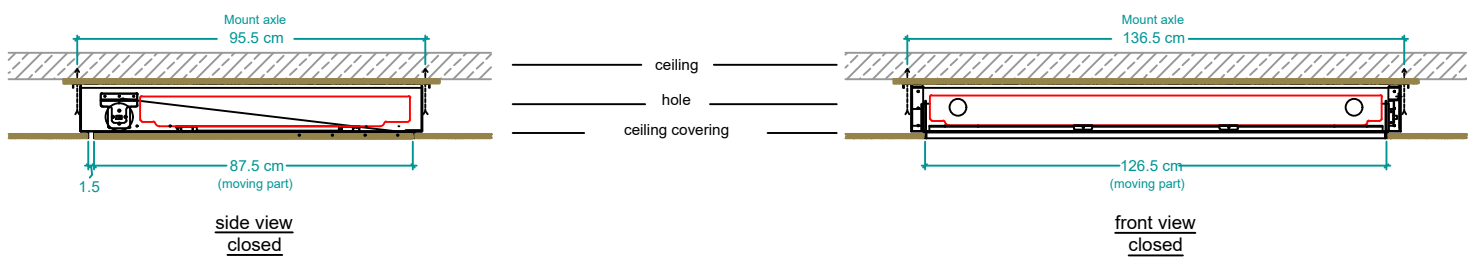
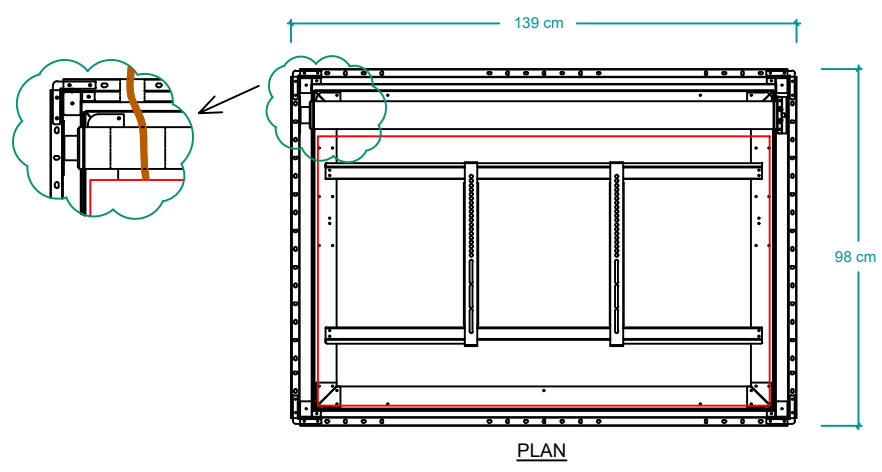


- ceiling to be mounted (concrete or steel)
- Motorized Mechanism
- 55" TV
- ceiling covering



1411 Motorized Lift For 55" TV

TECHNICAL SPECIFICATIONS	
POWER SUPPLY	220-230 V 50HZ
MAXIMUM CONSUMPTION	385W
DIMENSION LIFT CLOSED	1390mmx980mmx150mm (WxDxH)
MAXIMUM TV DIMENSIONS	1240mmx740mmx80mm (WxDxH)
MAXIMUM WEIGHT	40 Kg
COLOUR	BLACK
RF REMOTE CONTROL	INCLUDED IN STANDART
GUARANTEE	2 YEARS

