



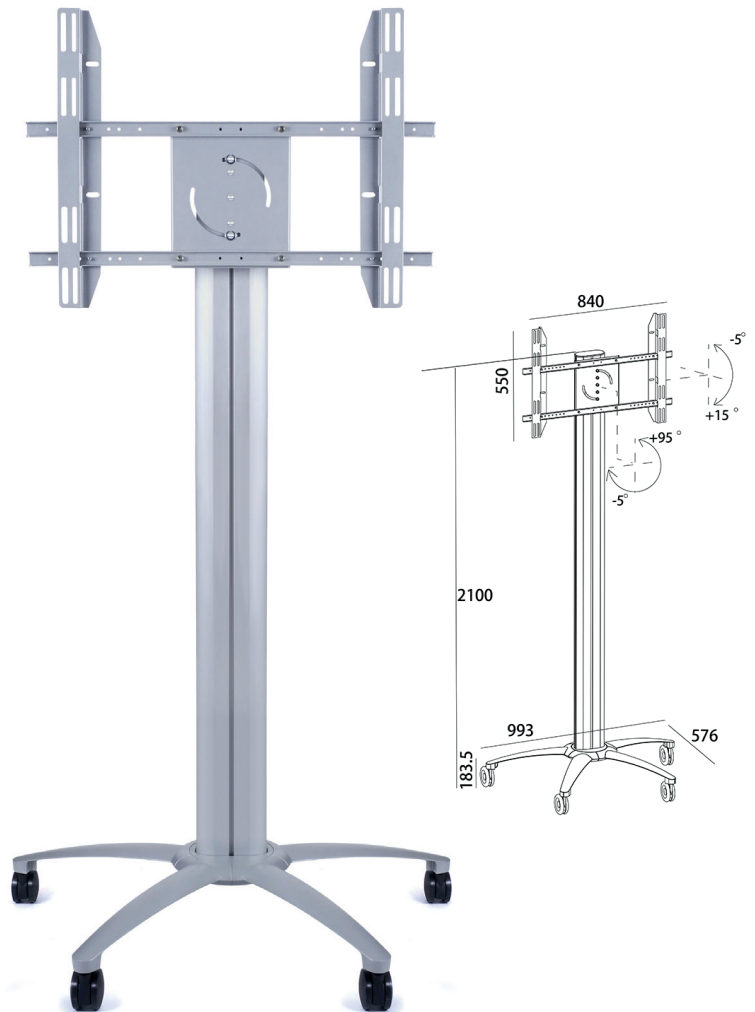
Ready when you are.

M Public Display Stand 210 Single Silver

Art No: 7 350 022 730 650

The M Multibrackets Public Display Stand is mainly made out of a light weight aluminum construction. The M Multibrackets Public Display Stand can be used with screens in a standard landscape mode or a portrait mode. It can be used with or without wheels, and with or without shelves, camera holder and power outlet. The optional display stand base can even be drilled into the floor to make the display stand stay put in any public environment it is placed in.

Thanks to the Multibrackets Anti-theft system, you can lock the screen to the display stand.



SPECIFICATIONS

M Public Display Stand 210 Single Silver

For screen size:	40-63"
Feature:	Highly customizable
VESA standard:	Up to 800x500 mm
EAN:	7 350 022 730 650
Size in mm: (WxDxH)	available in a moment
Adjustable height / Tilt:	Yes / Yes, -5°~+15°
Weight:	25 kg
Colour:	Silver
Max load:	90 kg
DVD Shelf / Camera holder:	Optional, not included
Power rail 220V:	Built-in
Package size:	550x350x150, 1950x100x175 mm
Screen position:	Landscape or portrait with tilt
Wheels:	Included, mount base is optional
Mount to floor:	Yes (optional)
Warranty:	5 years

