



- **Material Designation:** LP20 series waterproof connector



- **Materials Processes, Surface Treatment**

- **Contact**

Materials: Male Pin: Brass; Female Pin: Phosphor Bronze

Processes: Machining

Surface Treatment: Gold Plating for 4u" over nickel

- **Shell**

Materials: PBT

Processers: Injection

- **Insulator**

Materials :PBT

Processes: Injection

Color: Black

- **Material Introduction:**

- **Basic Information**

The performance of this connector is in conformity with Linko electric enterprise standard(in accordance with the TIA/EIA 568, MIL, IEC, CNS,

etc.). the socket and adapter plug use spring snap lock for connection, convenient and reliable, shock resistance. The socket is mounted on the panel through the square flange, and the contact part shall be welded with the end of the conductor.

Offer standard insert arrangements from 2-8pins.

■ **Packing and Storage:**

The production are packed in plastic bag, The packing list must be set in every carton, which has been given clear information of material designation, part number, production order number, packet quantity and total product quantity. The packaged production should be stored in the storeroom ,in which Environment Temperature is  $-40^{\circ}\text{C} \sim +80^{\circ}\text{C}$  ,Relative humidity  $\leq 85\%$ ,no acidic, alkaline and other corrosive gases.

■ **Mating Type.**

Mated with: LP20 connector(male)

■ **Applicable Standards :** TIA/EIA 568、MIL、IEC、CNS Standards

■ **Process Requirements**

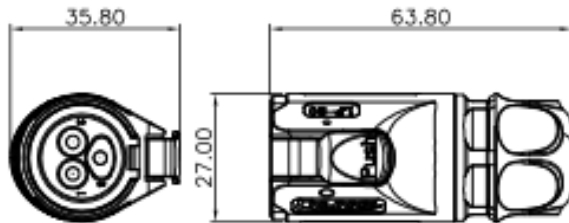
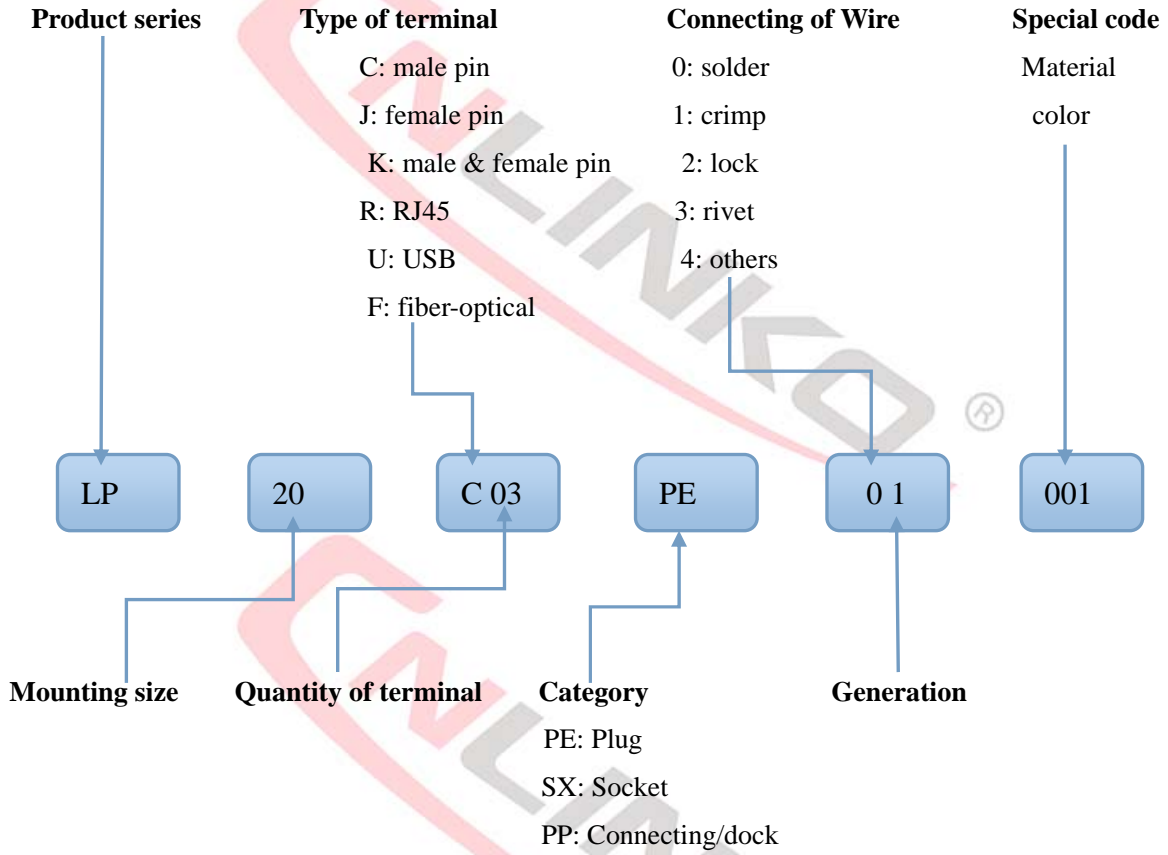
◆ **According to form of terminal**

The form of terminal is welding, the welding must be firm and cannot have pseudo soldering

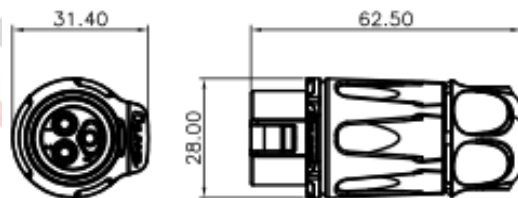
◆ **According to form of mounting**

Please see the mounting hole figure.

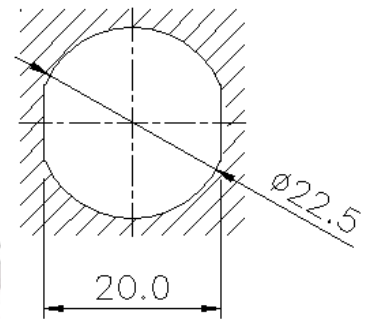
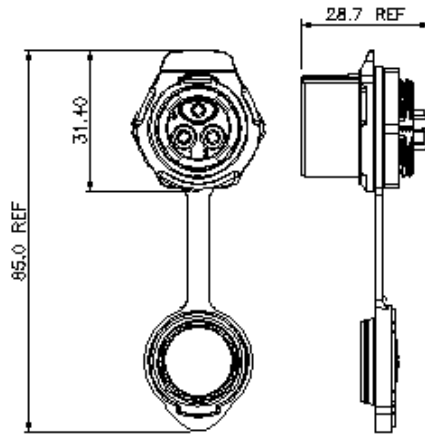
## PRODUCT CODE



LP-20-C\_\_PE-XX-001 Plug



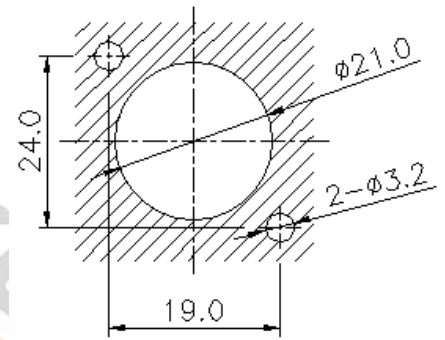
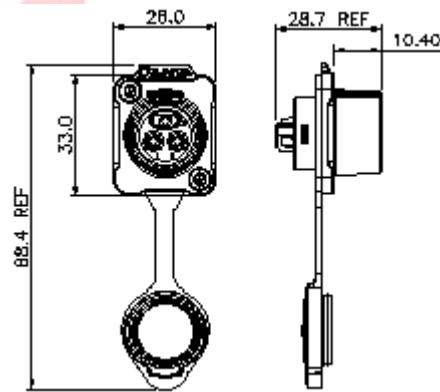
LP-20-C\_\_PP-XX-001 Socket



LP-20-J\_\_SX-XX-001

Single hole female socket

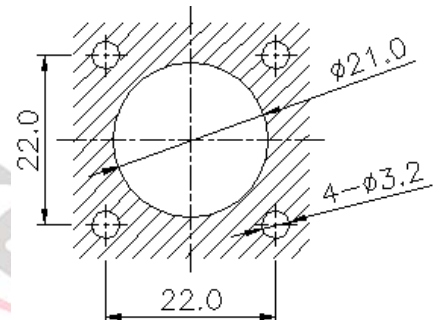
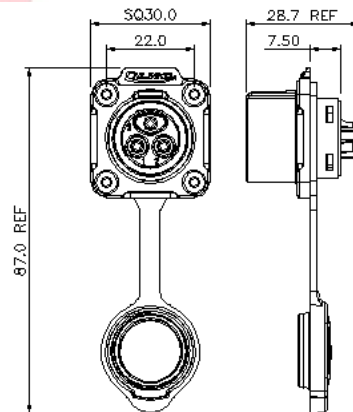
Mounting hole



LP-20-J\_\_SX-XX-001

Double holes socket

Mounting hole

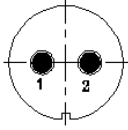
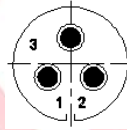
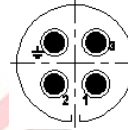
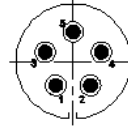
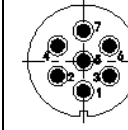
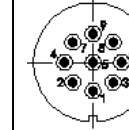
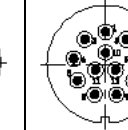


LP-20-C\_\_SX-XX-001

Four holes socket

Mounting hole

● Product Characteristics Form

Number of pins	 Two pins	 Three pins	 Four pins	 Five pins	 Seven pins	 Nine pins	 Twelve pins
Rated current	20A			12A		5A	
Operating voltage	500V			500V		400V	
Withstanding voltage	2500V			2500V		1500V	
Contact resistance	<1mΩ			<2.5mΩ		Ⓟ <5mΩ	
Temperature rise	20A, 30°C ↓ 25A, 40°C ↓ 30A, 50°C ↓			12A, 30°C ↓ 15A, 40°C ↓ 20A, 50°C ↓		5A 30°C ↓ ; 7A 40°C ↓ ; 10A 50°C ↓ ;	
Contact dimension	Φ2.7*2	Φ2.7*3	Φ2.7*4	Φ1.8*5	Φ1.8*7	Φ1.0*9	Φ1.0*12
Mating cycle	1700 Times						
Screw torque	42-53 (N. m) Torque wrench 200 (N. m)						
Temperature and humidity	-40°C ~ +80°C ; 40°C, 85%RH.						
Vibration	Frequency: 5~200Hz, Amplitude: 5mm, Speed : 10m/s, No instantaneous short circuit in 0.10us.						
Impact resistance	294m/s <sup>2</sup>						
Salt spray	PH6.5-7.2, NaCl, 5% 48H Ⓟ						
Applicable wire diameter	Scope of application (OD: Φ8-Φ12) mm. With waterproof ring (Φ8mm, Φ12mm)						
Protection level	IP67						
Certification standard	Comply with the TUV and UL certification standards						
Operation tool	Design with national standard opening wrench (see attached table)						