

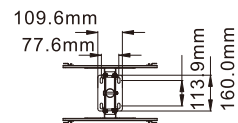
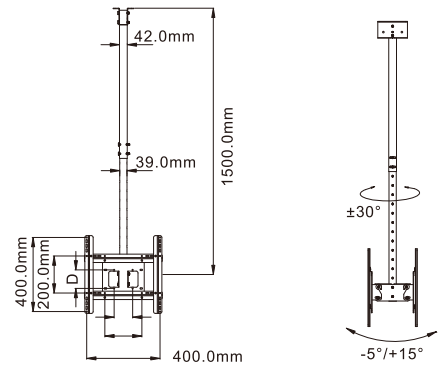


Ready when you are.

# M Public Ceilingmount Medium Back to Back

Art No: 7 350 022 735 477

The new M Public Ceilingmount Medium Back to Back is a sturdy double flat panel ceiling mount with VESA adapters supporting VESA up to 400x400. The M Public Ceilingmounts Back to Back feature allows medium sized flat panels or digital signage solutions to be seen from multiple locations. Change the screen from landscape to portrait by demounting the screen and then fixing the screen to needed position.



## SPECIFICATIONS

M Public Ceilingmount Medium Back to Back, 1500mm, Black, TUV, Max 400x400

For screen size: 32-46"

VESA standard: 100x100 200x100 200x200 300x300 400x200 400x400 mm

EAN: 7 350 022 735 477

Pillar length: Min: 832 — Max: 1500 mm

Weight: 8,68 kg

Tilt: -5° — +15°

Colour: Black

Max load: 65 kg

Portrait / Landscape mode: Yes

Turn: -30° — +30°

Material: Steel

Warranty: 5 years

