

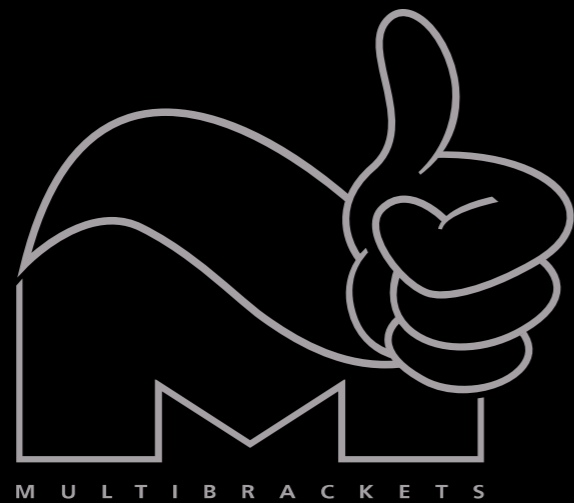


OFFICE SOLUTIONS  
SPRING MOUNTS &  
MONITOR STANDS



**Multibrackets Europe AB**

Phone: +46 (0)8 - 615 04 00 Fax: +46 (0)8 - 612 31 73 Mail: [support@multibrackets.com](mailto:support@multibrackets.com)  
Postal address: Döbelnsgatan 21, 11th floor SE-111 40 Stockholm Sweden



**AT** Multibrackets we know you are not always sitting in the same position whilst at work, so why should your screen stay in the same place? Our series Gas Lift Arm 's is the ultimate desk or wall mount companion to add flexibility and ingenious ergonomics to your LCD monitor. Designed to provide outstanding performance, with a sleek and streamlined outlook, it frees up space and allows to easily position your display for greater productivity. It is ideal for office and home use, especially in situations where several people use the same display or where a user can be both standing up and sitting down. So let your fingertips lift, swing, tilt and rotate your LCD display.

# M VESA SPRING DESK MOUNT SINGLE

A double jointed spring suspended monitor arm, designed by Multibrackets optimizes your productivity and help reducing strain on neck, back and eyes.

The M Spring Desk mount Single Black is made out of a durable aluminum construction and uses a spring driven suspension technique. This technique makes the screen "float" and it can then be moved with less effort. Sleek and streamlined, the M Spring Desk Mount Single Black frees up space and allows positioning of your display for greater productivity and smooth adjustment in any directions. Easily move the screen from landscape to portrait position or move the screen close to the desk, high up, matching almost any imaginable wanted working positions. Having a standard VESA plate (75mm x 75mm/100mm x 100mm), the M Spring Desk Mount Single Black can be assembled to most monitors from 15" to 27" weighting up to 9kg.

This setting is perfect for experiencing the effect of the spring technique. Our M VESA Spring Mount allows your screens to float and move around with a little effort. Perfect for any IT department wishing to minimize downtime. The M VESA Spring Mount attaches to working desks with the thickness from 10mm to 85mm.

Available in Silver and Black.

## SPECIFICATION M VESA Spring Desk Mount Single

Article No:	7 350 073 733 255
	7 350 073 733 262
Colour:	Black/Silver
For screen size:	15-27"
Universal & VESA standard:	75x75, 100x100 mm
Material:	Aluminum, Steel
Weight:	3.4kg
Max load:	9 kg
Height adjustable range:	170 - 505mm
Tilt:	Yes
For desktop width:	10 - 85mm
Warranty:	5 years

## M GROMMET DESKMOUNT(INCLUDED)

offers you easy installation on most desks.



Tired of a working desk jammed up by screens?  
Want to have the possibility within seconds to  
have the best viewing angle  
for a sitting or standing position,  
in the landscape or portrait mode?

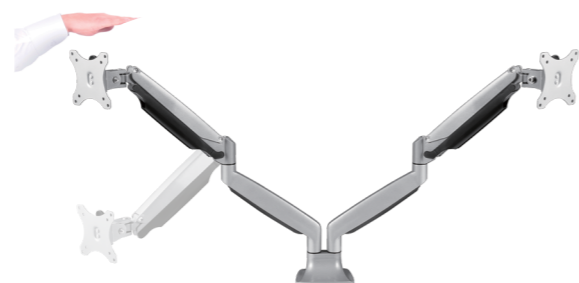


## M VESA SPRING DESK MOUNT DUAL

The dual spring suspended monitor mount was designed by Multibrackets to optimize your productivity and help reducing strain on neck, back and eyes.

The M VESA Spring Mount Dual is made out of a durable aluminum construction and uses a spring driven suspension technique. This technique makes the screens "float" and the screens can be moved with little effort. Sleek and streamlined, the M VESA Spring Mount frees up space and allows positioning with smooth adjustment for two LCD monitors from 15" to 27" in any directions. Easily move your screens from landscape to portrait position or move the screen close to the desk, high up, matching almost any imaginable working positions. Supports standard VESA plate (75mm x 75mm/100mm x 100mm) and holds screens weighing up to 9kg. Our M VESA Spring Mount allows your screens to float and move around with much less effort than a standard desk mount. Perfect for any IT department wishing to minimize downtime. The M VESA Spring Desk Mount Dual attaches to working desks with the thickness from 10mm to 85mm.

Available in Silver and Black.



### SPECIFICATION M VESA Spring Desk Mount Dual

Article No:	7 350 073 733 279
	7 350 073 733 286
Colour:	Black/Silver
For screen size:	15-27"
Universal & VESA standard:	75x75, 100x100 mm
Material:	Aluminum, Steel
Weight:	6 kg
Max load:	9 kg
Height adjustable range:	170 - 505mm
Tilt:	Yes
For desktop width:	10 - 85mm
Warranty:	5 years



## M SPRING DESK MOUNT SINGLE HIGHLIGHTS

PRODUCT FEATURES		TECHNICAL PARAMETER											
<ul style="list-style-type: none"> <li>•Increase viewing comfort, reduce eye, back and neck strains</li> <li>•Built in Cable management keeps excessive cables out of your way</li> <li>•Extends your monitor up to 50cm, push your display out of the way when you are not using it</li> <li>•The spring based technique allow easy adjustment and good durability</li> <li>•Clamp and grommet mount base included</li> </ul>												DESK THICKNESS APPLICATION	
		LCD Size	Wt. Capacity (kg)	Lpf (mm)	T&T	Swivel	Pivot	VESA	Packing Size	NW (kg)	GW (kg)	THRUDESK	CLAMP
		15"-27"	10	335	+90°	+90°	+90°	75*75 100*100	Inner: 10.2 Outer: 11.7	Inner: 3.4 Outer: 11.7	10	85	


## M SPRING DESK MOUNT DUAL HIGHLIGHTS

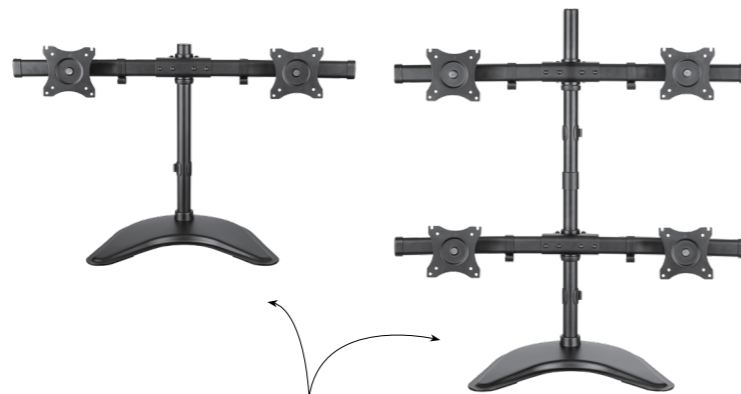
PRODUCT FEATURES		TECHNICAL PARAMETER											
<ul style="list-style-type: none"> <li>•Increase productivity with two monitors side by side</li> <li>•Add viewing comfort, reduce eye, back and neck strains</li> <li>•Built in Cable management keeps excessive cables out of your way</li> <li>•Extends your monitors up to 50cm, push your display out of the way when you are not using it</li> <li>•The spring based technique allow easy adjustment and good durability</li> <li>•Clamp and grommet mount base included</li> </ul>												DESK THICKNESS APPLICATION	
		LCD Size	Wt. Capacity (kg)	Lpf (mm)	T&T	Swivel	Pivot	VESA	Packing Size	NW (kg)	GW (kg)	THRUDESK	CLAMP
		15"-27"	9	335	+90°	+90°	+90°	75*75 100*100	Inner: 11.1 Outer: 11.2	Inner: 6 Outer: 20	10	85	

# M VESA DESKTOP STAND BASIC 15"-27"

M VESA Desktop Stand Basic includes four kinds of monitor stands: M VESA Desktop Stand Basic Single, M VESA Desktop Stand Basic Dual, M VESA Desktop Stand Basic Triple, M VESA Desktop Stand Basic Quad.

This series stands and mounts were made to create a perfect partner for the users who require a powerful, stable and well balanced monitor stand supported by a heavy duty base. With monitors getting larger users often find themselves in the need of durable stand for single or multiple monitors ranging from 15" to 27". This is where the M VESA Desktop Stands Basic could be a solution well worth looking into. Actually the need for a good monitor stand is often even more so when there are more than a one monitor requirement. No more staring at the screens in a single direction, the M VESA Desktop Stand/ Mount line are all easy to adjust and can be tilted, swiveled and rotated to create a better viewing angle. A good monitor stand will help you optimize the productivity and reduce strain on your neck, back and eyes caused by a stressful viewing angle. Get rid of those annoying repetitive movements between monitors by using two displays side by side. With the M VESA Desktop Stand Basic series you can easily use two or even four monitors at the same time. So why not get amazed like man other users have been with the ergonomic experiences as well as it will increase productivity using multiple monitors and what it does for ones day at work!

Let's start clearing your desk by using any of the M VESA Desktop Stand/ Mount line.



This product can be used with a desk clamp or grommet base (available as accessory)

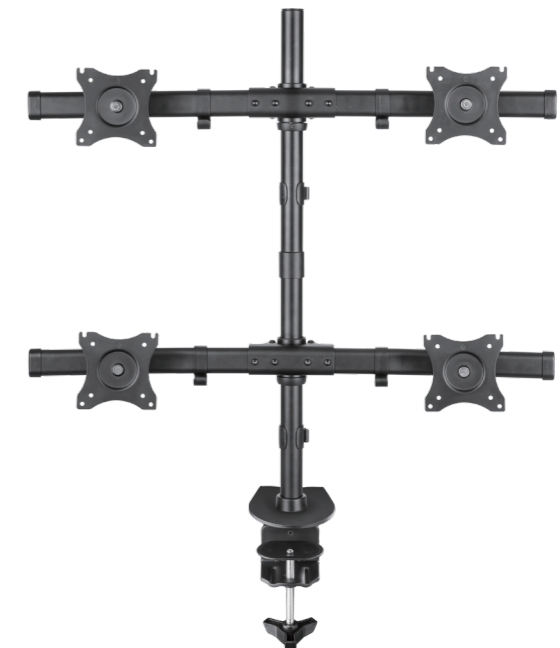
SPECIFICATION	M VESA Desktop Stand Basic Single	M VESA Desktop Stand Basic Dual	M VESA Desktop Stand Basic Quad
Article No:	7 350 073 733 323	7 350 073 733 330	7 350 073 733 347
Colour:	Black	Black	Black
For screen size:	15-27"	15-27"	15-27"
Universal & VESA standard:	75x75, 100x100 mm	75x75, 100x100 mm	75x75, 100x100 mm
Material:	Aluminum, Steel	Aluminum, Steel	Aluminum, Steel
Weight:	2.58 kg	2.58 kg	2.58 kg
Measurements:	11.6x12x55 cm	11.6x12x55 cm	11.6x12x55 cm
Max load:	10 kg	10 kg	10 kg
Adjustable height from table top to VESA plate center:	100 - 450 mm	100 - 450 mm	100 - 450 mm
Tilt:	Yes ±45°	Yes ±45°	Yes ±45°
Swivel:	Yes ±45°	Yes ±45°	Yes ±45°
Rotate:	Yes 360°	Yes 360°	Yes 360°
Cable Management:	Yes	Yes	Yes
Installation:	Deskstand	Deskstand	Deskstand
Warranty:	5 years	5 years	5 years

# M VESA DESKTOP MOUNT BASIC 15"-27"

M VESA Desktop Mounts Basic includes four kinds of monitor mounts: M VESA Desktop Mount Basic Single, M VESA Desktop Mount Basic Dual, M VESA Desktop Mount Basic Triple, M VESA Desktop Mount Basic Quad, all made for professional office use.

## Highlights

- Small footprint creates greater flexibility
- This product series gives an affordable productivity gain
- Let you position your monitor or monitors for better ergonomic comfort
- Free up your desk to increase your workspace
- Simple to install comes partially premounted
- All hardware included



SPECIFICATION	M VESA Desktop Mount Basic Single	M VESA Desktop Mount Basic Dual	M VESA Desktop Mount Basic Quad
Article No:	7 350 073 733 293	7 350 073 733 309	7 350 073 733 316
Colour:	Black	Black	Black
For screen size:	15-27"	15-27"	15-27"
Universal & VESA standard:	75x75, 100x100 mm	75x75, 100x100 mm	75x75, 100x100 mm
Material:	Aluminum, Steel	Aluminum, Steel	Aluminum, Steel
Weight:	2.58 kg	4.04kg	7.3kg
Max load:	10 kg	7.5 kg	7.5 kg
Adjustable height from table top to VESA plate center:	100 - 450 mm	100 - 400mm	100 - 750mm
Tilt:	Yes	Yes	Yes
For desktop width:	10 - 85mm	10 - 88mm	10 - 88mm
Warranty:	5 years	5 years	5 years

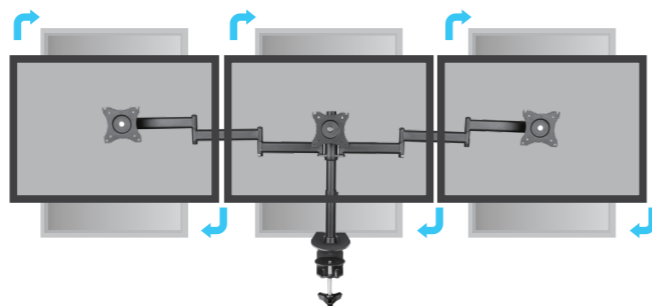
# M VESA DESKTOP STAND BASIC TRIPLE 15"-27"



Mounting three monitors side by side, you will improve your productivity by preventing the need to switch screens for different applications. Our Basic triple monitor stand will also allow you to clear up space on the desktop for your keyboard, laptop and or other items. Depending on the user and desk height, this mounting bracket can be used for sitting down and standing desk applications. Delivering vast possibilities in positioning three monitors with perfect viewing angle and distance this stand helps optimize your productivity, as well as reducing strain on your neck, back and eyes caused by stressful viewing angles. The M VESA Desktop stand Basic Triple has shown popular in office environments as well

as for gaming purposes where a three screen set up is often used. By supporting the layout for eyefinity® graphics, M VESA Desktop Stand Basic Triple stand can offer astonishing visual effects created by multiple monitors perfectly positioned side by side.

This stand was designed for a quick setup and effortless adjustment of each individual screen, you could be up and running in minutes. As many of Multibrackets products this desk stand comes preassembled and requires minimal setup allowing you to instantly mount your displays. When screens are set up an intelligent and integrated cable management system helps you handling excessive cables around the desk. Our M VESA Desktop stand Basic Triple is made out of durable aluminum and steel creating a heavy duty but sleek unit with great stability.

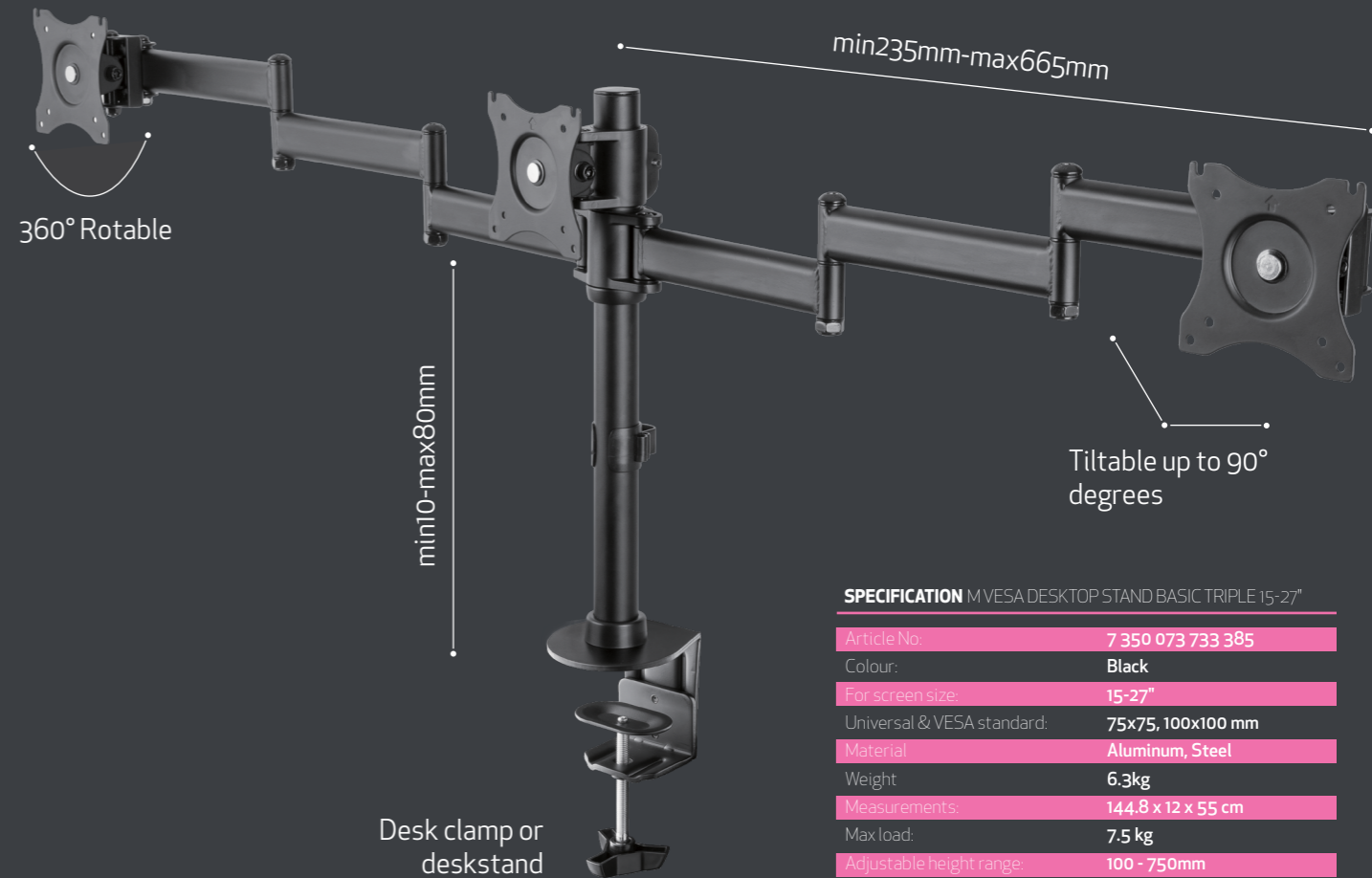


360 DEGREE INDEPENDENT PLATE ROTATION ALLOWS FOR EASY SET UP OF PORTRAIT & LANDSCAPE MONITOR ORIENTATION

#### SPECIFICATION M VESA DESKTOP STAND BASIC TRIPLE 15-27"

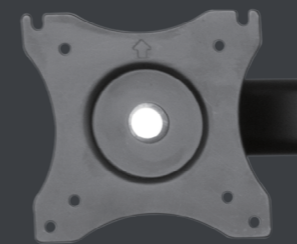
Article No:	7 350 073 733 392
Colour:	Black
For screen size:	15-27"
Universal & VESA standard:	75x75, 100x100 mm
Material:	Aluminum, Steel
Weight:	6.8 kg
Measurements:	144.8 x 31.6 x 46.6 cm
Max load:	10 kg
Adjustable height range:	100 - 450 mm
Tilt:	Yes ±45°
Swivel:	Yes ±45°
Rotate:	Yes 360°
Cable Management:	Yes
Installation:	Deskstand
Warranty:	5 years

"Perfect for gamers, designers, architects and many others."

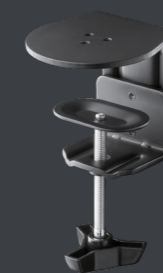


#### SPECIFICATION M VESA DESKTOP STAND BASIC TRIPLE 15-27"

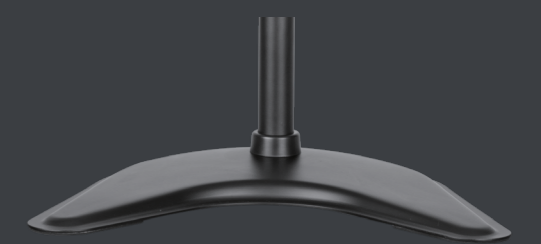
Article No:	7 350 073 733 385
Colour:	Black
For screen size:	15-27"
Universal & VESA standard:	75x75, 100x100 mm
Material:	Aluminum, Steel
Weight:	6.3kg
Measurements:	144.8 x 12 x 55 cm
Max load:	7.5 kg
Adjustable height range:	100 - 750mm
Tilt:	Yes
Swivel:	Yes
Rotate:	Yes
For desktop width:	10 - 88mm
Warranty:	5 years



- \* 75mm x 75mm/100mm x 100mm standard VESA plate
- \* 360 degrees rotation for different application of monitors
- \* 90 degrees swivel and tilt offers satisfying viewing angles



- \* Heavy duty clamp that firmly attach the monitor arm to a desk
- \* Fits most desks with the thickness from 10-88mm
- \* Features effortless installation



- \* Big contact area to keep your monitor stable
- \* Very easy installation by simply positioning your monitor arm on a desk.

# MEET YOUR NEW OFFICE PARTNER

An adjustable desk will change your life for the better. Our mission was simple: To create an elegant and modern height adjustable desk that moves you from a sitting to a standing position with the touch of a button. Through a smart microprocessor controlled lifting system, Multibrackets introduces a series of height adjustable desks aimed for the office.

- \* A smooth and quiet motor driving electric desk
- \* Having memory of your desirable height adjustment
- \* Large vertical adjustable range with 3 column stages from 650mm to 1230mm
- \* Strong 80kg load capacity
- \* Dual motors provide stable height adjustment, and our well-designed motors has very low noise while it is operating.

• max height 1230mm

• min height 650mm

- Detachable
- Dual motors for better stability

Touch screen provides convenient height adjustment.

## COLORS



## CASTORS



Optional lockable castors make your desk easy to move around.





# M ADJUSTABLE STANDING DESK

No more manual adjustment for sit-stand desks, our technology inserts "muscle memory" in your desk to improve your working experience.

With our electric sit-stand desk you simply adjust the height by a touch of a button. It also remembers your favorite height setting or can automatically adjust the height according to a given program. The alarm

feature will remind you of the proper time to change your working postures, so even the most dedicated staff won't forget to change their postures. Even our details are detailed, the low noise trembling

mechanical adjustment, our unique motor technology and a load of up to 80kg with overload protection we thought of everything. So let's get to work while making your posture even better.



## SPECIFICATION M ADJUSTABLE STANDING DESK FRAME

Motorized	Yes, Dual Motors (one in each leg)
Input:	120V/230V
Product size:	100cm-170cm x 70cm x 65cm-123cm
Height adjustment range:	58cm, 650-1230mm
Material:	metal
Column stages:	3
Numbers of legs:	2
Load capacity:	80kg
Max. adjustment speed:	38mm/s
Driven mode:	tubemotor
Numbers of motor:	2
Control mode:	touch screen
Decibel:	<50dB
Castors:	optional
Safety etc:	CE, FCC, RoHS, California Proposition 65

## SPECIFICATION M ADJUSTABLE STANDING DESK

Motorized	Yes, Dual Motors (one in each leg)
Input:	120V/230V
Product size:	100cm-170cm x 70cm x 65cm-123cm
Height adjustment range:	58cm, 650-1230mm
Material:	metal, chipboard
Column stages:	3
Numbers of legs:	2
Load capacity:	80kg
Max. adjustment speed:	38mm/s
Driven mode:	motor
Numbers of motor:	2
Control mode:	touch screen
Desktop Size:	Various sizes available
Decibel:	<50dB
Castors:	optional
Safety etc:	CE, FCC, RoHS, California Proposition 65

## SPECIFICATION M ADJUSTABLE STANDING DESK THIN

Motorized	Yes, Dual Motors (one in each leg)
Input:	120V/230V
Product size:	100cm-170cm x 70cm x 65cm-123cm
Height adjustment range:	58cm, 650-1230mm
Material:	metal, compact board
Column stages:	3
Numbers of legs:	2
Load capacity:	80kg
Max. adjustment speed:	38mm/s
Driven mode:	motor
Numbers of motor:	2
Control mode:	touch screen
Desktop Size:	Various sizes available
Decibel:	<50dB
Castors:	optional
Safety etc:	CE, FCC, RoHS, California Proposition 65

[www.multibrackets.com](http://www.multibrackets.com)