

# ERARD<sup>®</sup> PRO

## KANA

### MOBILE OR FIXED STAND



**1200L**  
Height: 1200 mm max.



039320 Wood  
039220 Steel

Vesa  
200x200 >  
400x400



**1400XL**  
Height: 1400 mm max



039340 Wood  
039240 Steel

Vesa  
200x200 >  
600x400



**1600XXL**  
Height: 1600 mm max



039360 Wood  
039260 Steel

Vesa  
200x200 >  
600x400

- **Column :**
  - KANA Steel : Steel of 5 mm thickness, ultra-matte polyester paint, colour : cast-iron grey
  - KANA Wood: Wood of 52 mm thickness, glued beechwood panel, polyurethane varnish, colour: light oak
- Adjustable screen height along the entire length of the column
- Base (legs) : Steel of 6 mm thickness, black epoxy paint
- Supplied with 4 multidirectional castors AND 4 fixed feet
  - 4 castors with an aerial design (without hub) of 65 mm diameter, made in nylon castors with elastomer tread
  - Polypropylene (PP) fixed feet of 57 mm diameter, height-adjustable
- Cable management behind the column, (full-height cable passages)
- 3 accessories in option :
  - KANA Shelf - ref. 039290
  - KANA Player Mount - ref. 039291
  - Soundbar mounts for KANA stands - ref. to come

*Screen can be mounted in portrait mode,  
max. VESA 400x400*



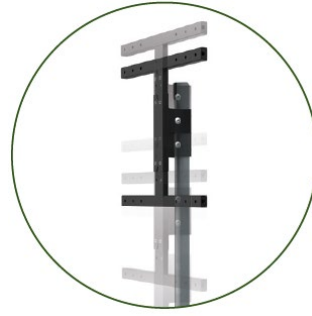
Supplied with caster  
wheels and fixed feet



Screen mount compatible with all screen types



Cable management within the column (full-height cable passages)

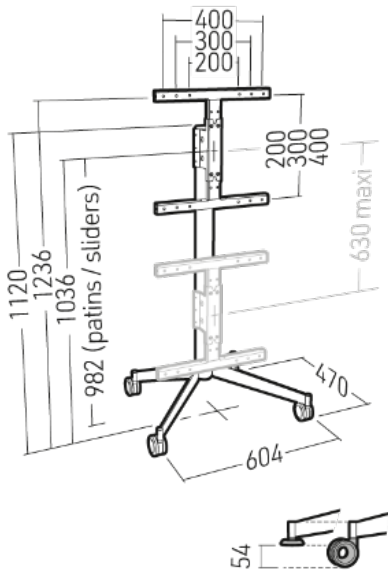


Great amplitude for adjustment of the screen height

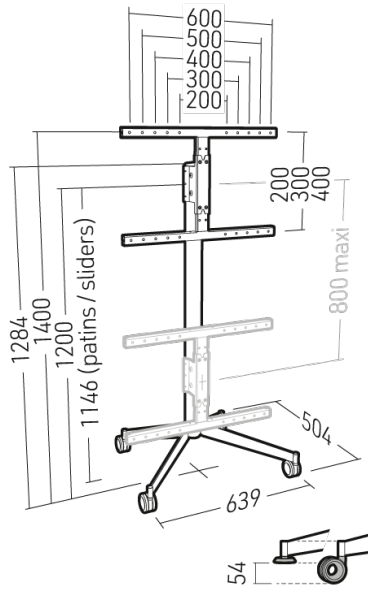


Beautiful quality of finish, textured epoxy paint

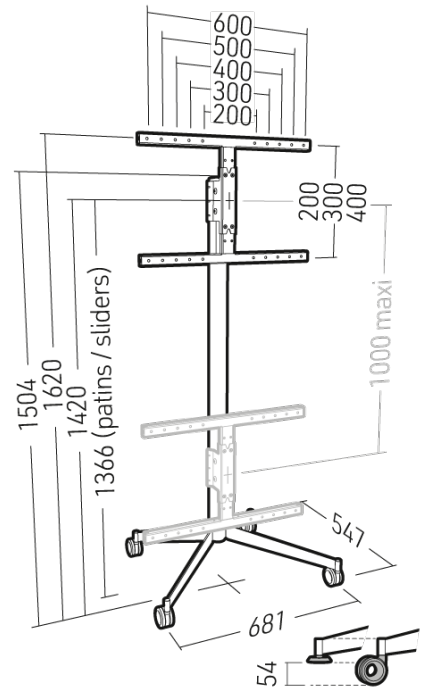
### Drawings :



1200L



1400XL



1600XXL

### KAN ACCESSORIES :



KANA - SHELF

Ref. 039290



KANA - PLAYER MOUNT

Ref. 039291

- Media player is held in place by 2 elastic cords
- Reversible right - left : Yes
- Dimensions of player (HxLxD): 204 x 163 x 49 mm

### VIDEO BAR MOUNTS

**POLY, LOGITECH, YEALINK, CISCO, NUREVA, YAMAHA, CRESTRON, JABRA, AVER, BOSE, LENOVO, NEAT...**

ALL THESE VIDEO SOUND BARS CAN BE EASILY INSTALLED ON **KANA STANDS**.

VIDEO BAR MOUNT

Ref. to come