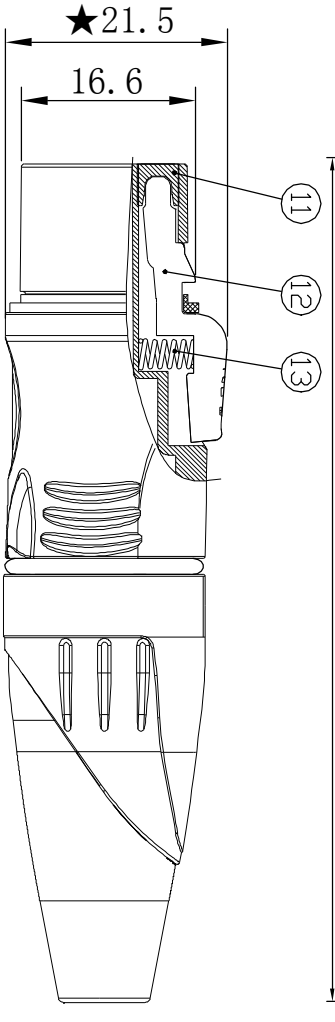
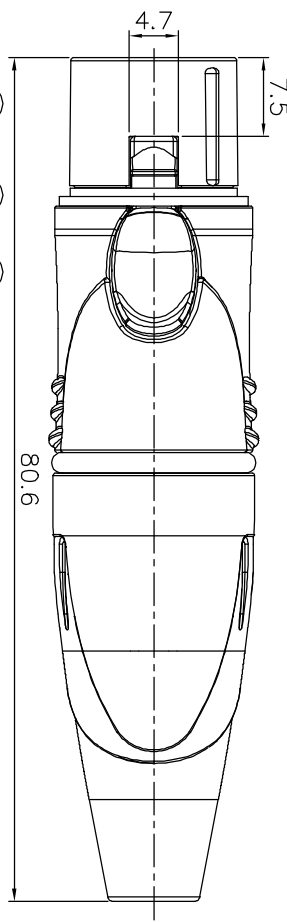
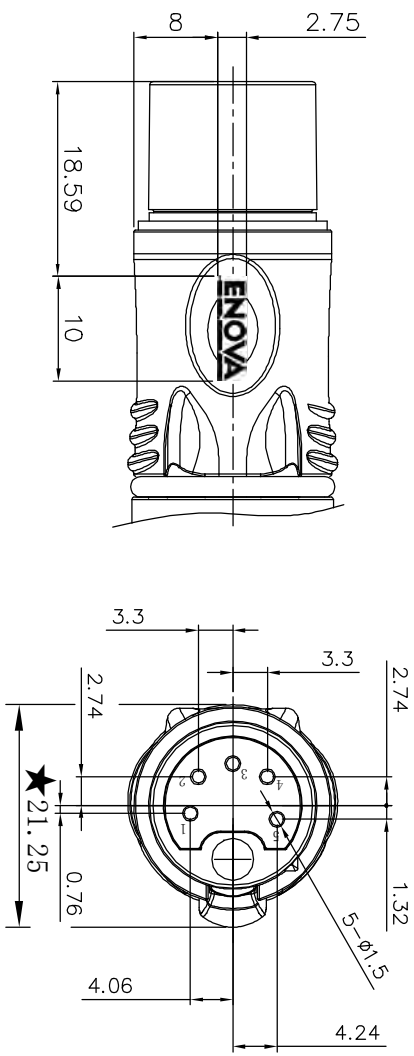
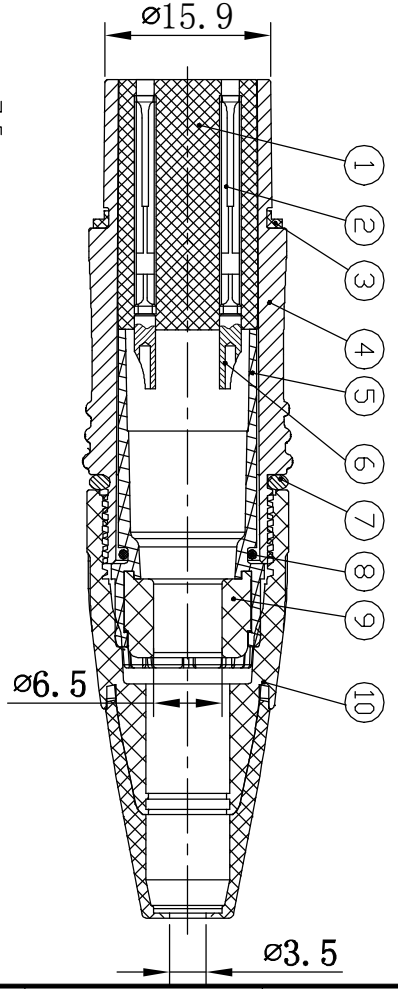


| | | | | | | | | | | | | | | | |
|-----|--|------|--|----------------------------------|--|---|--|---|--|---|--|---|--|---|--|
| 1 | | 2 | | 3 | | 4 | | 5 | | 6 | | 7 | | 8 | |
| ISS | | ZONE | | DESCRIPTION \ PER REQUEST \ DATE | | | | | | | | | | | |
| V | | OPEN | | Open drawings to customers | | | | | | | | | | | |
| | | | | | | | | | | | | | | | |



| | | | | | |
|----|-----------------|-----------------|--------------|---|--|
| 13 | Spring | spring steel | | 1 | |
| 12 | Push button | ZZnAL4-1 | Black plated | 1 | |
| 11 | Jam | H59-1 | Black zinc | 1 | |
| 10 | Cap+Boot | PA6+TPR | BK+GY | 1 | |
| 9 | Waterproof ring | BUNA-NRUBBER | BLACK | 1 | |
| 8 | T-Washer | BUNA-NRUBBER | BLACK | 1 | |
| 7 | O-WASHER | SILICONE | BLACK | 1 | |
| 6 | Pin | H59-1 | SILVER | 5 | |
| 5 | Cable clamp | PA6 | WHITE | 1 | |
| 4 | Die-cast shell | ZZnAL4-1 | Black plated | 1 | |
| 3 | T-Washer | BUNA-NRUBBER | BLACK | 1 | |
| 2 | Female pin | PHOSPHOR BRONZE | SILVER | 5 | |
| 1 | Insulator | PA | BLACK | 1 | |

DIMENSIONS ARE IN MILLIMETERS
UNLESS OTHERWISE SPECIFIED
TOLERANCES
ANGLES = ±5°
UP TO 6 = ±0.2
6-40 = ±0.4
40-120 = ±0.6
120-315 = ±1
ABOVE 315 = ±1.6

APPROVED DATE
CHECKED DATE
DRAWN HAONANHU DATE 2019-8-20
FILE NO.
ERP LINK:
SCALE 1.5/1

Connector Distribution GmbH
TITLE
WATERPROOF 5P XLR FEMALE CONNECTOR
PLATED SILVER PIN
PART NO. XL25FB-W
REV. A1

1 2 3 4 5 6 7 8