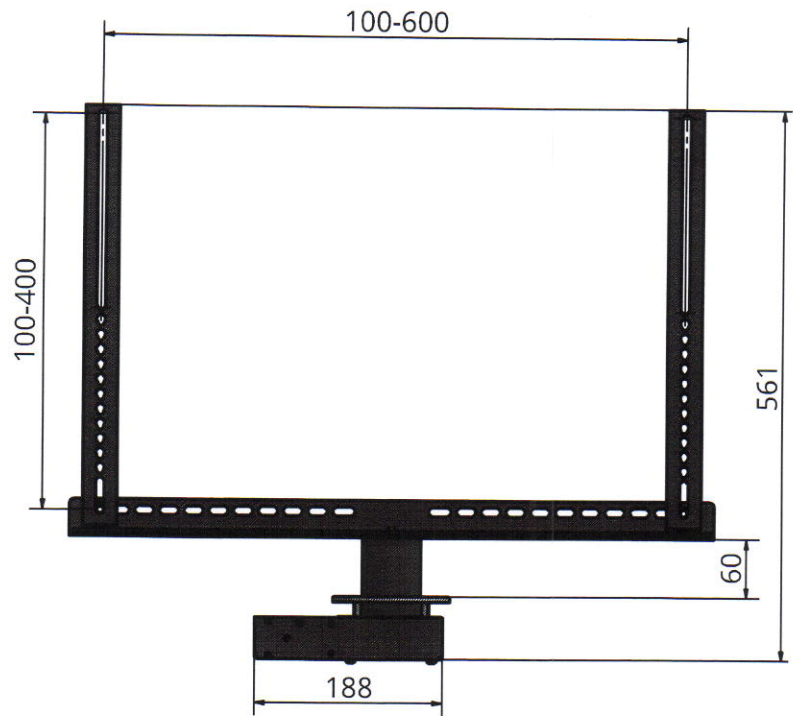


In-Stand 340

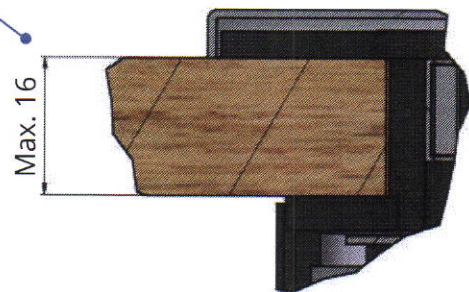
TV Stands



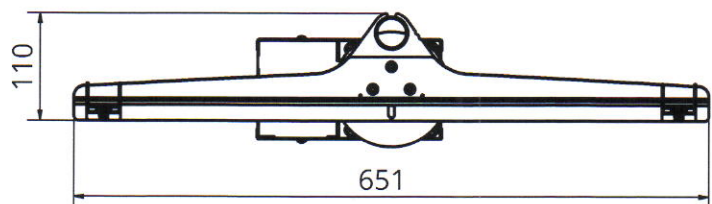
Side view



Front view

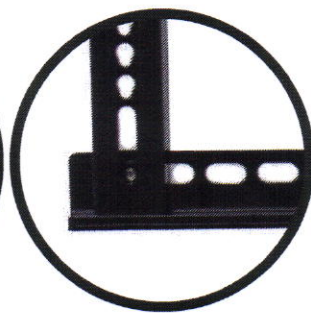
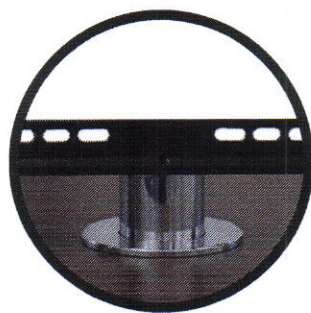


S (2:1)



Top view

Specification	
	In-Stand 340
weight capacity	55 kg / 121 lb
height	500 mm / 20"
max. VESA	600x400
TV sizes	40" to 70"
mounting type	U-Mount
rotation speed	1.5 rpm
angle of rotation	+/- 340°
safety system	clutch
power consumption	3,5W
power supply	115V/230V



Modern and comfortable

This rotating TV screen stand can be mounted inside the furniture through a 67 mm hole. RF Operated electric motor can swivel the screen +/- 340 degrees. A patented safety clutch System will prevent damage to any obstacles as well as the electric motor. Grommet in the back and hole inside the tube allows easy cable management to inside or outside the furniture. Universal TV mount covers VESA standards from 100x100 to 600x400 and everything in between. 5 Year warranty - at least 80 thousand cycles for screens up to 55 kg. Painted in exclusive black powder paint.



RF remote control included



Easy angle adjustment



Safety systems



Cable guide



5 year warranty