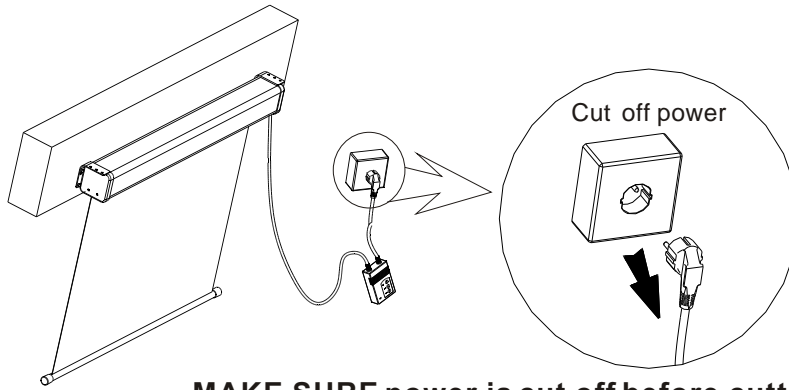


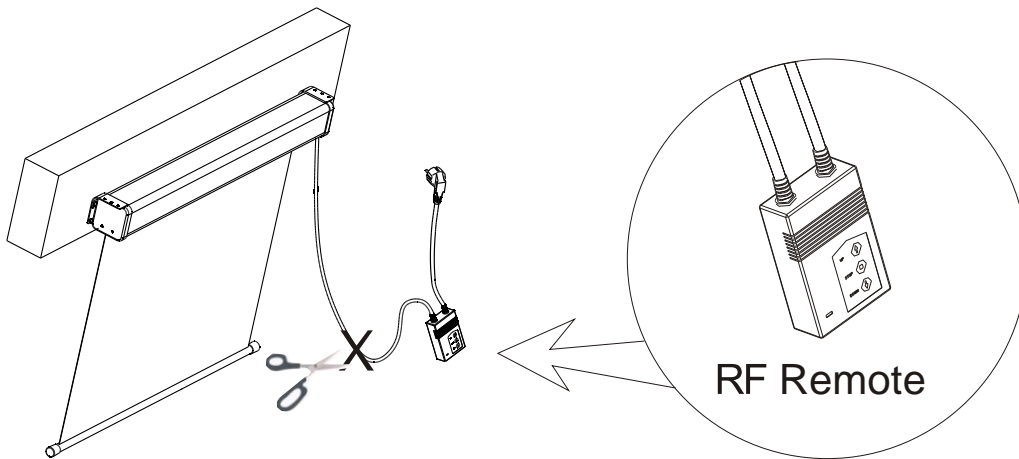
IMPORTANT: Note this job should be done by a certified electrician

1



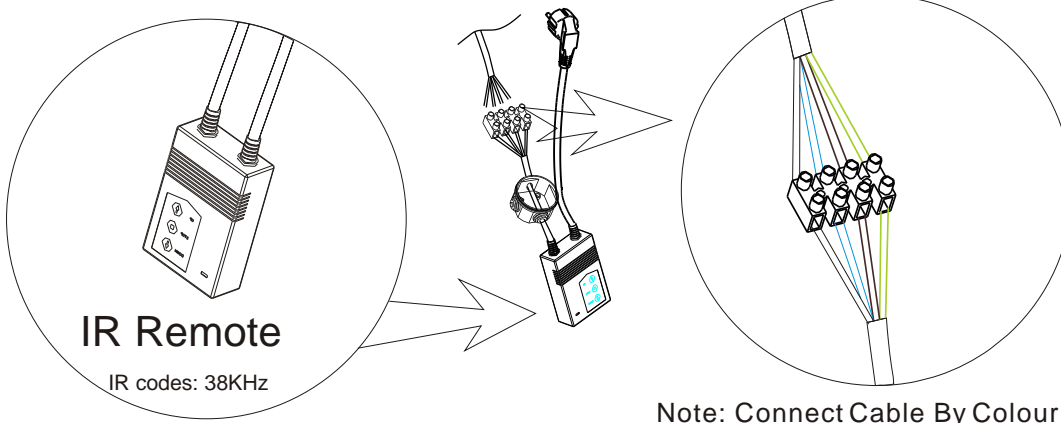
MAKE SURE power is cut off before cutting cables

2



RF Remote

3



IR Remote

IR codes: 38KHz

Note: Connect Cable By Colour

4

