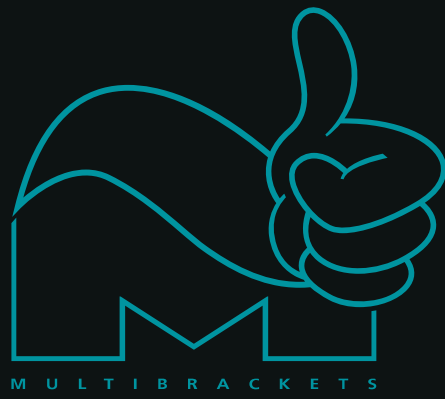




GAS LIFT ARMS &
MONITOR STANDS



AT Multibrackets we know that you are not always sitting in the same position whilst at work, so why should your screen stay in the same place? Our series Lift Arms' are the ultimate desk or wall mount companion to add flexibility and ingenious ergonomics to your monitors. Designed to provide outstanding performance, with a sleek and streamlined look, it frees up space and allows you to easily position your display for greater productivity. It is ideal for both office and home use and especially in situations where a user can be both standing up and sitting down. So, let's start letting your fingertips lift, swing, tilt and rotate your LCD display.

VESA DESKTOP MOUNTS

■ Officeline Pro	6
■ Officeline	12
■ Deskline	20

VESA GAS LIFT ARMS

■ Desk or Wall	28
■ Originals	32
■ Large Displays	36
■ Dual Monitor	40
■ Dual Monitor Side by Side	44
■ Multi Monitor Solutions	48
■ M Vesa Gas Lift - Single & Dual	56

WORKSTATIONS

■ Workstation Arms	60
■ Deskstands	64

PERIPHERALS

■ Headset Holders	66
■ Cable Socks	70

Officeline Pro

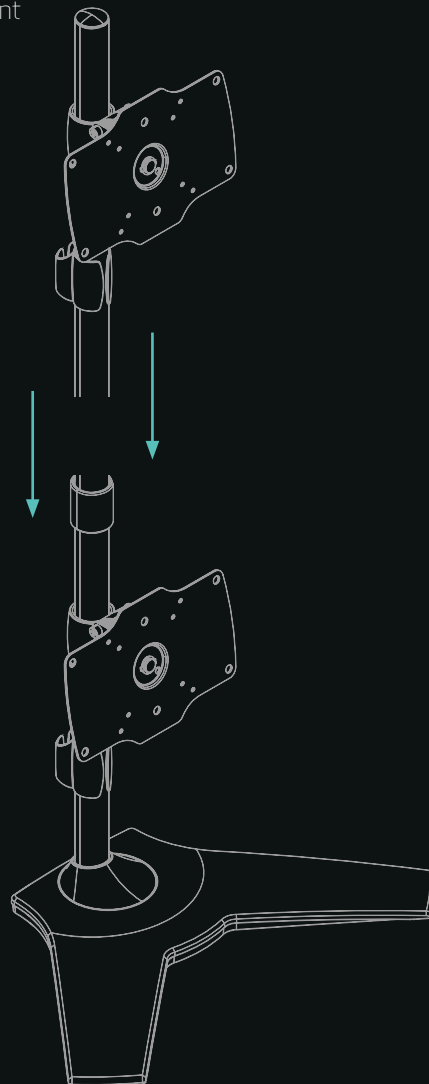
Total flexibility - Build your desktop monitorwall after your needs

HIGHLIGHTS:

- A high level designed productline for office use.
- Made for the semi professional user.
- Creates maximum ergonomic comfort for displays.
- Simplified installation and simple after adjustment possibilities.
- Plexi based cable management.

Officeline Pro 's key advantage is its modularity. This line up meets the needs of virtually every requirement in the modern computer workstation environment, offering exceptional adjustment; display, tilt, swivel and rotation and can accommodate a wide range of monitor weights and sizes.

Create the ideal multi display arrangement and position your monitors individually to increase productivity, reduce eye, neck and shoulder strain. At the same time, you will be saving space and creating the ultimate viewing position for each monitor with micro adjustment possibilities for each display. The products are slender and low profile yet the weighted base provides enhanced stability and minimize clutter with the intuitive cable management system.



Portrait / Landscape



Vesa Standard



Height Adjustment



Cable Management



Tilt Adjustment



Extensibility

Perfect for designers,
architects and other
professional users





M VESA Desktopmount [Single Stand 24"-32"](#)



M VESA Desktopmount [Dual Stand 24"-32"](#)



M VESA Desktopmount [Triple Stand 15"-24"](#)



M VESA Desktopmount [Triple Stand 24"-32"](#)

Officeline Pro - Specification

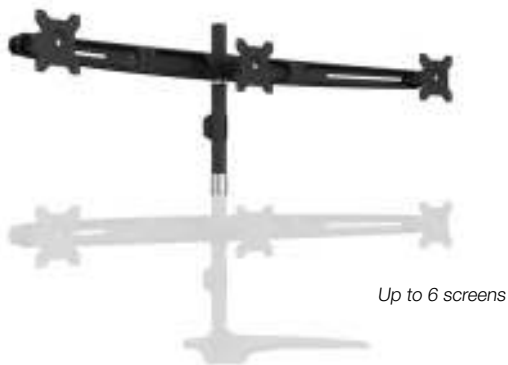
Model:	M VESA Desktopmount Single Stand 24"-32"	M VESA Desktopmount Dual Stand 24"-32"	M VESA Desktopmount Triple Stand 15"-24"	M VESA Desktopmount Triple Stand 24"-32"
For screen size:	24"-32"	24"-32"	15"-24" (Max screen width: 575 mm)	24"-32"
VESA standard:	75x75, 100x100, 200x100	75x75, 100x100, 200x100	75x75 100x100	75x75 / 100x100 / 200x100 mm
Article No:	7 350 022 737 396	7 350 022 737 419	7 350 022 734 999	7 350 073 731 312
Size in mm:	Available shortly	Available shortly	1280x370x307(W*H*D)	1696x504x135 (W*H*D)
Weight:	3,5 kg	4,5 kg	5,3 kg	7 kg
Colour:	Black	Black	Black	Black
Max load:	15 kg for each screen	15 kg for each screen	8 kg for each screen	8 kg for each screen
Material	Steel/ Aluminium Alloy/ Plastic	Steel/ Aluminium Alloy/ Plastic	Steel/ Aluminium Alloy/ Plastic	Steel/ Aluminium Alloy/ Plastic
Tilt:	Up to +/-20 degrees for each screen	Up to +/-20 degrees for each screen	Up to +/-20 degrees for each screen	+15° ~ -10°
Rotate:	Up to +/-90 degrees for each screen	Up to +/-90 degrees for each screen	Up to +/-90 degrees for each screen	Up to +/-360° for each screen
Yaw:	Not available	+/-10 degrees	+/-10 degrees	-
Warranty:	5 years	5 years	5 years	5 years



M VESA Desktopmount [Single Stand 24"-32"](#) Expansion Kit



M VESA Desktopmount [Dual Stand 24"-32"](#) Expansion Kit



M VESA Desktopmount [Triple Stand 15"-24"](#) Expansion Kit



M VESA Desktopmount [Triple Stand 24"-32"](#) Expansion Kit

Officeline Pro Expansion Kits - Specification

Model:	M VESA Desktopmount Single Stand 24"-32" Expansion Kit	M VESA Desktopmount Dual Stand 24"-32" Expansion Kit	M VESA Desktopmount Triple Stand 15"-24" Expansion Kit	M VESA Desktopmount Triple Stand 24"-32" Expansion Kit
For screen size:	24"-32" (Max screen width: 575 mm)	24"-32" (Max screen width: 840 mm)	15"-24" (Max screen width: 575 mm)	24"-32"
VESA standard:	75x75, 100x100, 200x100	75x75, 100x100, 200x100	75x75 100x100	75x75 / 100x100 / 200x100mm
Article No:	7 350 022 737 402	7 350 022 737 426	7 350 022 735 002	7 350 073 731 329
Size in mm:	Available shortly	Available shortly	1280x388x77(W*H*D)	1696x946x135(W*H*D)
Weight:	2,5 kg	3,5 kg	4,5 kg	6,26 kg
Colour:	Black	Black	Black	Black
Max load:	12 kg for each screen	12 kg for each screen	8 kg for each screen	8 kg for each screen
Tilt:	Up to +/-20 degrees for each screen	Up to +/-20 degrees for each screen	Up to +/-20 degrees for each screen	Up to +15 /-10 degrees for each screen
Rotate:	Up to +/-90 degrees for each screen	Up to +/-90 degrees for each screen	Up to +/-90 degrees for each screen	Up to +/-360 degrees for each screen
Yaw:	Not available	+/-10 degrees	+/-10 degrees	-
Warranty:	5 years	5 years	5 years	5 years

Accessories

Officeline Pro

Model: M Desktopmount
VESA Adapter 200x200

Article No: 7 350 073 731 909
Suitable for: M VESA Desktopmount Officeline Pro
Colour: Black
Weight: 0.26 kg
Warranty: 5 years



Model: M Desktopmount
Single-Dual-Triple Stand
Grommet Base

Article No: 7 350 022 737 433
Suitable for: M VESA Desktopmount Officeline Pro
Colour: Black
Weight: 0.5 kg
Warranty: 5 years



Model: M Desktopmount
Single-Dual-Triple Stand
Desk Clamp

Article No: 7 350 022 735 019
Suitable for: M VESA Desktopmount Officeline Pro
Colour: Black
Weight: 2 kg
Warranty: 5 years



Model: M Desktopmount
Single / Dual / Triple
Stand 46cm Pipe

Article No: 7 350 022 737 440
Suitable for: M VESA Desktopmount Officeline Pro
Colour: Black
Weight: 1.5 kg
Warranty: 5 years



Officeline

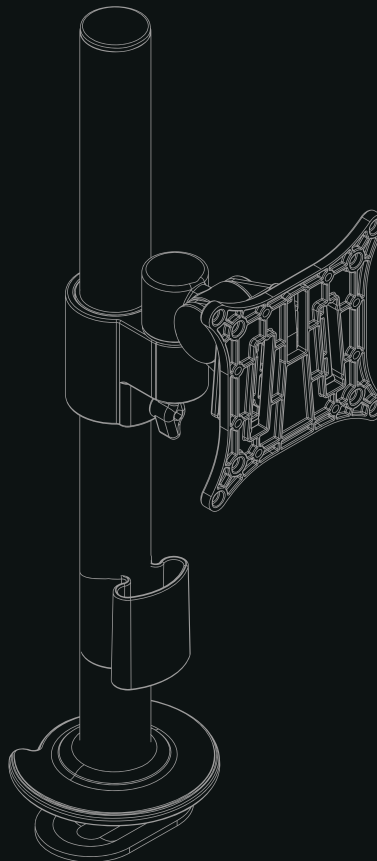
Frees up space - Allowing positioning of your display for greater productivity

HIGHLIGHTS:

- A high level designed productline for office use.
- Made for the semi professional user.
- Creates maximum ergonomic comfort for displays.
- Simplified installation and simple after adjustment possibilities.
- Plexi based cable management.
- Optional through hole installation with Grommet Base.

From a simple single monitor desk stand to a more system like thinking capable of handling multiple monitors. Multibrackets Officeline offers a wide variety of stands to meet virtually any demand. Low-profile, single monitor stands allowing the user to freely position the monitor anywhere along the edge of the desk allowing a line of sight across the table.

At the other end of the spectrum, the multi monitor Officeline Dual and Quad mounting system offering great scalability: Start with two monitors and gradually expand to 3, 4, 6, or 8 monitors as your needs change, while independently adjusting each monitor to the precise position and angle you need.



Portrait / Landscape



Vesa Standard



Height Adjustment



Back To Back



Cable Management



Tilt Adjustment

Aimed for office users
searching for flexible design
and attention to details





M VESA Deskmount Officeline [Single](#)



M VESA Deskmount Officeline [Single I](#)



M VESA Deskmount Officeline [Single II](#)



M VESA Deskmount Officeline [Dual](#)

Officeline - Specification

Model:	M VESA Deskmount Officeline Single	M VESA Deskmount Officeline Single I	M VESA Deskmount Officeline Single II	M VESA Deskmount Officeline Dual
Article No:	7 350 073 735 822	7 350 073 735 839	7 350 073 735 846	7 350 073 735 853
Colour:	Black	Black	Black	Black
For screen size:	15-30"	15-30"	15-30"	15-30"
Universal & VESA standard:	75x75 100x100 mm	75x75 100x100 mm	75x75 100x100 mm	75x75 100x100 mm
Material:	Steel	Steel	Steel	Steel
Max load:	8 kg	8 kg	8 kg	8 kg per screen
Weight:	2.2 kg	2.5 kg	2.9 kg	2.5 kg
Measurements:	116x32x480 (D*W*H)	311x32x480 (D*W*H)	506x32x480 (D*W*H)	116x32x480 (D*W*H)
Adjustable height from table top to VESA plate center:	0 - 480mm	0 - 480mm	0 - 480mm	0 - 480mm
Tilt:	Yes 85° -60°	Yes 85° -60°	Yes 85° -60°	Yes 85° -60°
Swivel:	Yes 360°	Yes 360°	Yes 360°	Yes 360°
Pivot:	Yes ±90°	Yes ±90°	Yes ±90°	Yes ±90°
Installation:	Desk clamp, adjustable 10 - 50mm	Desk clamp, adjustable 10 - 50mm	Desk clamp, adjustable 10 - 50mm	Desk clamp, adjustable 10 - 50mm
Option:	M VESA Deskmount Officeline Grommet Base Black - Art: 5884	M VESA Deskmount Officeline Grommet Base Black - Art: 5884	M VESA Deskmount Officeline Grommet Base Black - Art: 5884	M VESA Deskmount Officeline Grommet Base Black - Art: 5884
For desktop top width:	10 - 50mm	10 - 50mm	10 - 50mm	10 - 50mm
Warranty:	5 years	5 years	5 years	5 years



M VESA Desktop Mount Officeline [Dual B2B](#)



M VESA Desktop Mount Officeline [Dual Vertical](#)



M VESA Desktop Mount Officeline [Quad B2B](#)



M VESA Desktop Mount Officeline [Quad](#)

Officeline - Specification

Model:	M VESA Desktop Mount Officeline Dual B2B	M VESA Desktop Mount Officeline Dual Vertical	M VESA Desktop Mount Officeline Quad B2B	M VESA Desktop Mount Officeline Quad
Article No:	7 350 073 735 860	7 350 073 735 877	7 350 073 735 907	7 350 073 735 891
Colour:	Black	Black	Black	Black
For screen size:	15-30"	15-30"	15-30"	15-30"
Universal & VESA standard:	75x75 100x100 mm	75x75 100x100 mm	75x75 100x100 mm	75x75 100x100 mm
Material:	Steel	Steel	Steel	Steel
Max load:	8 kg per screen	8 kg per screen	8 kg per screen	8 kg per screen
Weight:	4.1 kg	2.4 kg	4.1 kg	4.1 kg
Measurements:	506x32x480 (D*W*H)	116x32x910 (D*W*H)	506x32x900 (D*W*H)	506x32x900 (D*W*H)
Adjustable height from table top to VESA plate center:	0 - 480mm	0 - 910mm	0 - 900mm	0 - 900mm
Tilt:	Yes 85° -60°	Yes 85° -60°	Yes 85° -60°	Yes 85° -60°
Swivel:	Yes 360°	Yes 360°	Yes 360°	Yes 360°
Pivot:	Yes ±90°	Yes ±90°	Yes ±90°	Yes ±90°
Installation:	Desk clamp, adjustable 10 - 50mm	Desk clamp, adjustable 10 - 50mm	Desk clamp, adjustable 10 - 50mm	Desk clamp, adjustable 10 - 50mm
Option:	M VESA Desktop Mount Officeline Grommet Base Black - Art: 5884	M VESA Desktop Mount Officeline Grommet Base Black - Art: 5884	M VESA Desktop Mount Officeline Grommet Base Black - Art: 5884	M VESA Desktop Mount Officeline Grommet Base Black - Art: 5884
For desktop width:	10 - 50mm	10 - 50mm	10 - 50mm	10 - 50mm
Warranty:	5 years	5 years	5 years	5 years



M VESA Desktop Mount Officeline [Single](#)



M VESA Desktop Mount Officeline [Single I](#)



M VESA Desktop Mount Officeline [Single II](#)



M VESA Desktop Mount Officeline [Dual](#)

Officeline - Specification

Model:	M VESA Desktop Mount Officeline Single	M VESA Desktop Mount Officeline Single I	M VESA Desktop Mount Officeline Single II	M VESA Desktop Mount Officeline Dual
Article No:	7 350 073 735 150	7 350 073 735 167	7 350 073 735 174	7 350 073 735 181
Colour:	White	White	White	White
For screen size:	15-30"	15-30"	15-30"	15-30"
Universal & VESA standard:	75x75 100x100 mm	75x75 100x100 mm	75x75 100x100 mm	75x75 100x100 mm
Material:	Steel	Steel	Steel	Steel
Max load:	8 kg	8 kg	8 kg	8 kg per screen
Weight:	2.2 kg	2.5 kg	2.9 kg	2.5 kg
Measurements:	116x32x480 (D*W*H)	311x32x480 (D*W*H)	506x32x480 (D*W*H)	116x32x480 (D*W*H)
Adjustable height from table top to VESA plate center:	0 - 480mm	0 - 480mm	0 - 480mm	0 - 480mm
Tilt:	Yes 85- -60°	Yes 85- -60°	Yes 85- -60°	Yes 85- -60°
Swivel:	Yes 360°	Yes 360°	Yes 360°	Yes 360°
Pivot:	Yes ±90°	Yes ±90°	Yes ±90°	Yes ±90°
Installation:	Desk clamp, adjustable 10 - 50mm	Desk clamp, adjustable 10 - 50mm	Desk clamp, adjustable 10 - 50mm	Desk clamp, adjustable 10 - 50mm
Option:	M VESA Desktop Mount Officeline Grommet Base White - Art: 5303	M VESA Desktop Mount Officeline Grommet Base White - Art: 5303	M VESA Desktop Mount Officeline Grommet Base White - Art: 5303	M VESA Desktop Mount Officeline Grommet Base White - Art: 5303
For desktop width:	10 - 50mm	10 - 50mm	10 - 50mm	10 - 50mm
Warranty:	5 years	5 years	5 years	5 years



M VESA Desktop Mount Officeline [Dual B2B](#)



M VESA Desktop Mount Officeline [Dual Vertical](#)



M VESA Desktop Mount Officeline [Quad B2B](#)



M VESA Desktop Mount Officeline [Quad](#)

Officeline - Specification

Model:	M VESA Desktop Mount Officeline Dual B2B	M VESA Desktop Mount Officeline Dual Vertical	M VESA Desktop Mount Officeline Quad B2B	M VESA Desktop Mount Officeline Quad
Article No:	7 350 073 735 198	7 350 073 735 297	7 350 073 735 594	7 350 073 735 587
Colour:	White	White	White	White
For screen size:	15-30"	15-30"	15-30"	15-30"
Universal & VESA standard:	75x75 100x100 mm	75x75 100x100 mm	75x75 100x100 mm	75x75 100x100 mm
Material:	Steel	Steel	Steel	Steel
Max load:	8 kg per screen	8 kg per screen	8 kg per screen	8 kg per screen
Weight:	4.1 kg	2.4 kg	4.1 kg	4.1 kg
Measurements:	506x32x480 (D*W*H)	116x32x910 (D*W*H)	506x32x900 (D*W*H)	506x32x900 (D*W*H)
Adjustable height from table top to VESA plate center:	0 - 480mm	0 - 910mm	0 - 900mm	0 - 900mm
Tilt:	Yes 85- -60°	Yes 85- -60°	Yes 85- -60°	Yes 85- -60°
Swivel:	Yes 360°	Yes 360°	Yes 360°	Yes 360°
Pivot:	Yes ±90°	Yes ±90°	Yes ±90°	Yes ±90°
Installation:	Desk clamp, adjustable 10 - 50mm	Desk clamp, adjustable 10 - 50mm	Desk clamp, adjustable 10 - 50mm	Desk clamp, adjustable 10 - 50mm
Option:	M VESA Desktop Mount Officeline Grommet Base White - Art: 5303	M VESA Desktop Mount Officeline Grommet Base White - Art: 5303	M VESA Desktop Mount Officeline Grommet Base White - Art: 5303	M VESA Desktop Mount Officeline Grommet Base White - Art: 5303
For desktop width:	10 - 50mm	10 - 50mm	10 - 50mm	10 - 50mm
Warranty:	5 years	5 years	5 years	5 years

Accessories

Officeline

Model:	M VESA Deskmount Officeline 75 100 Quick Release Plate
Article No:	7 350 073 735 389
Suitable for:	M VESA Deskmount Officeline Series
Colour:	Black
Weight:	0.1 kg
Warranty:	2 years



Model:	M VESA Deskmount Officeline 50 Quick Release Plate
Article No:	7 350 073 735 372
Suitable for:	M VESA Deskmount Officeline Series
Colour:	Black
Weight:	0.1 kg
Warranty:	2 years



Model:	M VESA Deskmount Officeline Grommet Base Black
Article No:	7 350 073 735 884
Suitable for:	M VESA Deskmount Officeline Series
For screen size:	15" - 32"
Colour:	Black
Warranty:	5 years



Model:	M VESA Deskmount Officeline Grommet Base White
Article No:	7 350 073 735 303
Suitable for:	M VESA Deskmount Officeline Series
For screen size:	15" - 32"
Colour:	Black
Warranty:	5 years



Deskline

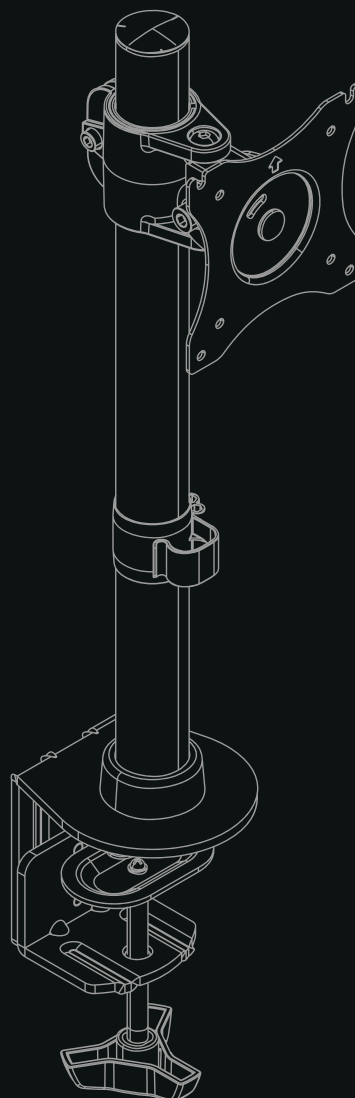
Increase your productivity & free up desk space
Optimize your office or gaming setup

HIGHLIGHTS:

- Gracefully adjust your monitors height and position.
- Rotate monitor to landscape or portrait mode.
- High grade materials with anti scratch surfaces.
- Built in cable management system.

This series of free standing or clamp based mount lets you install one, two, three or four displays up to 27", on a single base that you can place in virtually any workspace. The black finish complements your office decor. Set up a single or multi monitor workstation with this VESA monitor stand (75x75, 100x100 mm) to multitask faster and boost your productivity.

Compare and edit files on two screens with ease. Rotate your monitors 360 degrees for portrait or landscape viewing. Free up desk space with the low profile base and maximize the surface area. Its crossbar design keeps your monitors perfectly aligned and makes it easy to mount and finetune adjust two flat panel displays side by side. The monitor stand features a flat, low profile back so you can position your displays against an office wall or cubicle wall to free up space.



Portrait / Landscape



Vesa Standard



Height Adjustment



Cable Management



Tilt adjustment



Ramp up your ergonomic comfort at a great pricepoint





M Deskmount [Basic Single](#)



M Deskstand [Basic Single](#)



M Deskmount [Basic Dual](#)



M Deskstand [Basic Dual](#)

Deskline - Specification

Model:	M Deskmount Basic Single	M Deskstand Basic Single	M Deskmount Basic Dual	M Deskstand Basic Dual
Article No:	7 350 073 733 293	7 350 073 733 323	7 350 073 733 309	7 350 073 733 330
Colour:	Black	Black	Black	Black
For screen size:	15-27"	15-27"	15-27"	15-27"
Universal & VESA standard:	75x75 100x100 mm	75x75 100x100 mm	75x75 100x100 mm	75x75 100x100 mm
Material:	Aluminum, Steel	Aluminum, Steel	Aluminum, Steel	Aluminum, Steel
Weight:	2.58 kg	3.58 kg	4.04kg	5.04 kg
Measurements:	11.6x12x55 cm	11.6x12x55 cm	11.6x12x55 cm	11.6x12x55 cm
Max load:	10 kg	10 kg	8 kg per screen	10 kg
Adjustable height from table top to VESA plate center:	100 - 450 mm	100 - 450 mm	100 - 400mm	100 - 450 mm
Tilt:	Yes ±45°	Yes ±45°	Yes ±45°	Yes ±45°
Swivel:	Yes ±45°	Yes ±45°	Yes ±45°	Yes ±45°
Rotate:	Yes 360°	Yes 360°	Yes 360°	Yes 360°
Installation:	Desk clamp, adjustable 10 - 85mm	Deskstand	Desk clamp, adjustable 10 - 85mm	Deskstand
Option:	*Article: 7350073733408, M Deskmount Grommet Base*	*Article: 7350073733408, M Deskmount Grommet Base*	*Article: 7350073733408, M Deskmount Grommet Base*	*Article: 7350073733408, M Deskmount Grommet Base*
Warranty:	5 years	5 years	5 years	5 years



M Deskmount [Basic Triple](#)



M Deskstand [Basic Triple](#)



M Deskmount [Basic Quad](#)



M Deskstand [Basic Quad](#)

Deskline - Specification

Model:	M Deskmount Basic Triple	M Deskstand Basic Triple	M Deskmount Basic Quad	M Deskstand Basic Quad
Article No:	7 350 073 733 385	7 350 073 733 392	7 350 073 733 316	7 350 073 733 347
Colour:	Black	Black	Black	Black
For screen size:	15-27"	15-27"	15-27"	15-27"
Universal & VESA standard:	75x75 100x100 mm	75x75 100x100 mm	75x75 100x100 mm	75x75 100x100 mm
Material:	Aluminum, Steel	Aluminum, Steel	Aluminum, Steel	Aluminum, Steel
Max load:	8 kg per screen	8 kg per screen	8 kg per screen	8 kg per screen
Weight:	6.3 kg	7.8 kg	7.3kg	8.3 kg
Measurements:	144.8 x 12 x 55 cm	144.8 x 31.6 x 46.6 cm	144.8 x 31.6 x 46.6 cm	144.8 x 31.6 x 46.6 cm
Adjustable height from table top to VESA plate center:	100 - 450mm	100 - 450 mm	100 - 750mm	100 - 450 mm
Tilt:	Yes ±45°	Yes ±45°	Yes ±45°	Yes ±45°
Swivel:	Yes ±45°	Yes ±45°	Yes ±45°	Yes ±45°
Rotate:	Yes 360°	Yes 360°	Yes 360°	Yes 360°
Installation:	Desk clamp, adjustable 10 - 85mm	Deskstand	Desk clamp, adjustable 10 - 85mm	Deskstand
Option:	*Article: 7350073733408, M Deskmount Grommet Base*	*Article: 7350073733408, M Deskmount Grommet Base*	*Article: 7350073733408, M Deskmount Grommet Base*	*Article: 7350073733408, M Deskmount Grommet Base*
Warranty:	5 years	5 years	5 years	5 years

Accessories

Deskline

Model: M VESA Monitor Slider Black

Article No: 7 350 073 737 796

Suitable for: Deskline

For screen size: 13" - 27"

Colour: Black

Weight: 0.74 kg

Warranty: 5 years



Model: M Basic Tablestand for Single/Dual/Triple/Quad Basic Arms

Article No: 7 350 073 735 457

Suitable for: Deskline

Colour: Black

Weight: 2 kg

Warranty: 5 years



Model: M Basic Clamp for Single/Dual/Triple/Quad M Basic Arm

Article No: 7 350 073 735 440

Suitable for: Deskline

Colour: Black

Weight: 2 kg

Warranty: 5 years



Model: M Deskmount Basic Single/Dual/Triple/Quad Grommet Base

Article No: 7 350 073 733 408

Suitable for: Deskline

Colour: Black

Weight: 1.5 kg

Warranty: 5 years



Improve your posture

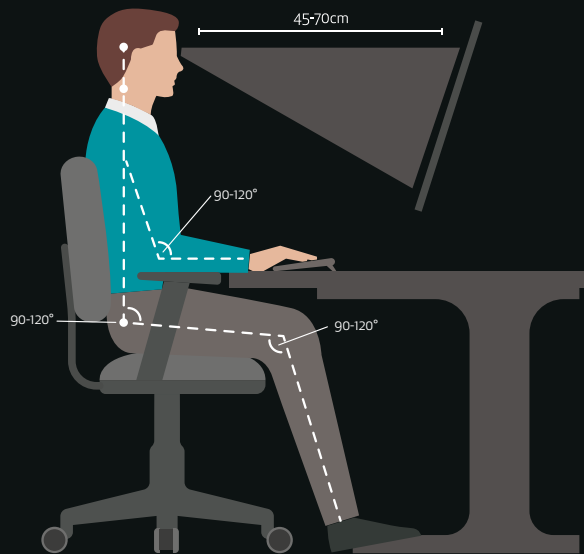
Office Ergonomics - How to battle a poor posture. With the continuing rise in popularity of computers and mobile devices, an increase in postural strain is being placed on our bodies. Poor posture while using desktops, notebooks and multiple screens on the desk place the

upper body in a position of increased neck flexion with rounded shoulder posturing. This can lead to a variety of musculoskeletal issues and postural deviations. Given the length of time spent in these postures on a daily basis, places office workers at an even higher risk of developing disorders.

For these reasons, it is important to ensure proper office ergonomics are in place. Maybe it's time for your business to discover a new level of refinement with our Monitor Stands and Gas lift solutions.

5 tips for an ideal sitting position

- Shoulders relaxed
- Straight back
- Circulation in legs
- Healthy hip and knee joints
- Feet flat on the floor



MONITOR

Adjust distance and height top of the monitor at eye level and slightly tilted.

ARMS

Relax shoulders and forearms parallel to the floor.

CHAIR

Should have a backrest and armrests, adjust height.

LEGS

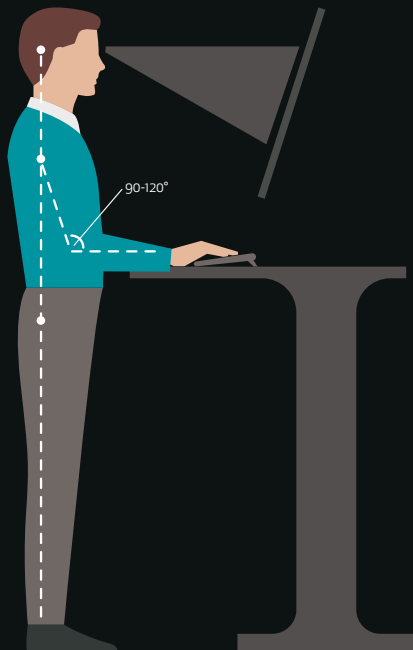
Thighs parallel to the floor.

FEET

Parallel to the floor, use a footrest if necessary.

5 tips for an ideal standing position

- Shoulders relaxed
- Straight back
- Pelvis in neutral alignment
- Circulation in legs
- Hip, knee and ankle joints aligned with gravity line



MONITOR

Tilt your monitor back 10 - 20°.

ARMS

Maintain keyboard height even with elbows.

BODY

Change posture every 30 minutes.

LEGS

Use an anti fatigue mat while standing.

FEET

A foot rest is essential to shift your weight from one leg to another.

■ VESA GAS LIFT ARMS

M VESA Gas Lift Arm Desk or Wall

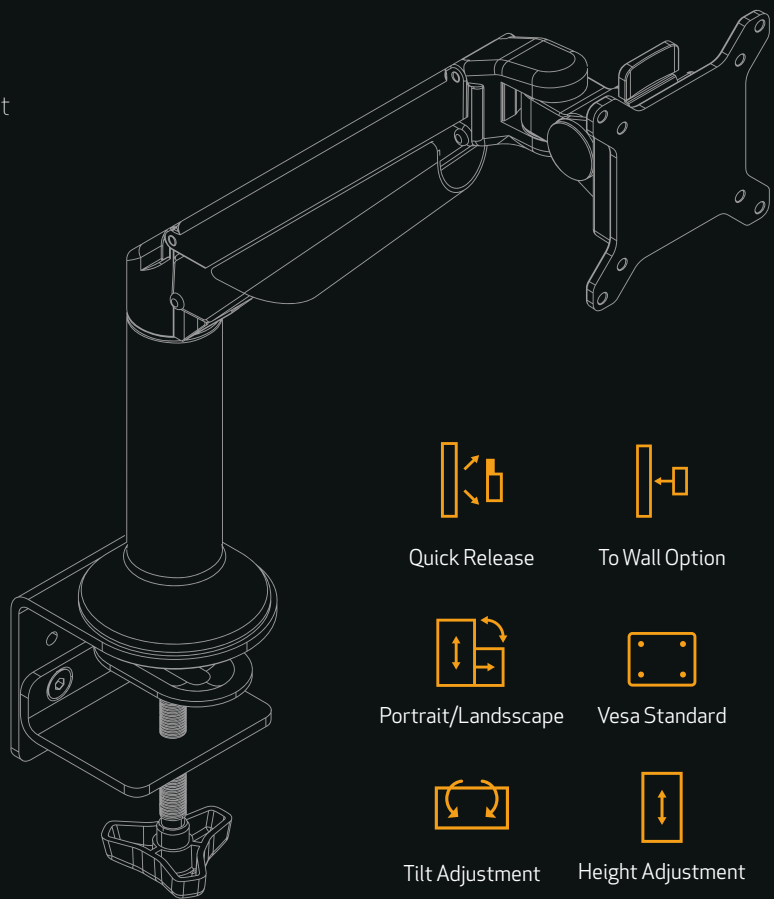
Use it on a desk or fix it to a wall

HIGHLIGHTS:

- Ultimate fit. Improve your monitors movement and overall ergonomics.
- Mounts on your desk or onto a wall.
- Works with most mid size displays up to 32".
- Saves space and holds your cables hidden.

The M VESA Gas Lift Arm Desk or Wall made out of a durable aluminum construction and uses a gas driven suspension technique. This makes the screen "float" and it can then be moved with near zero effort. Sleek and streamlined, the M VESA Gas Lift Arm frees up space and allows positioning of your display for greater productivity.

The unique counterbalance gas technology provides smooth adjustment in any direction. Easily move the screen from landscape to portrait position or move the screen close to the desk, high up, matching almost any wanted working position imaginable. In addition, this version of our Gas Arm can be mounted directly to the wall.



Quick Release



To Wall Option



Portrait/Landscape



Vesa Standard



Tilt Adjustment



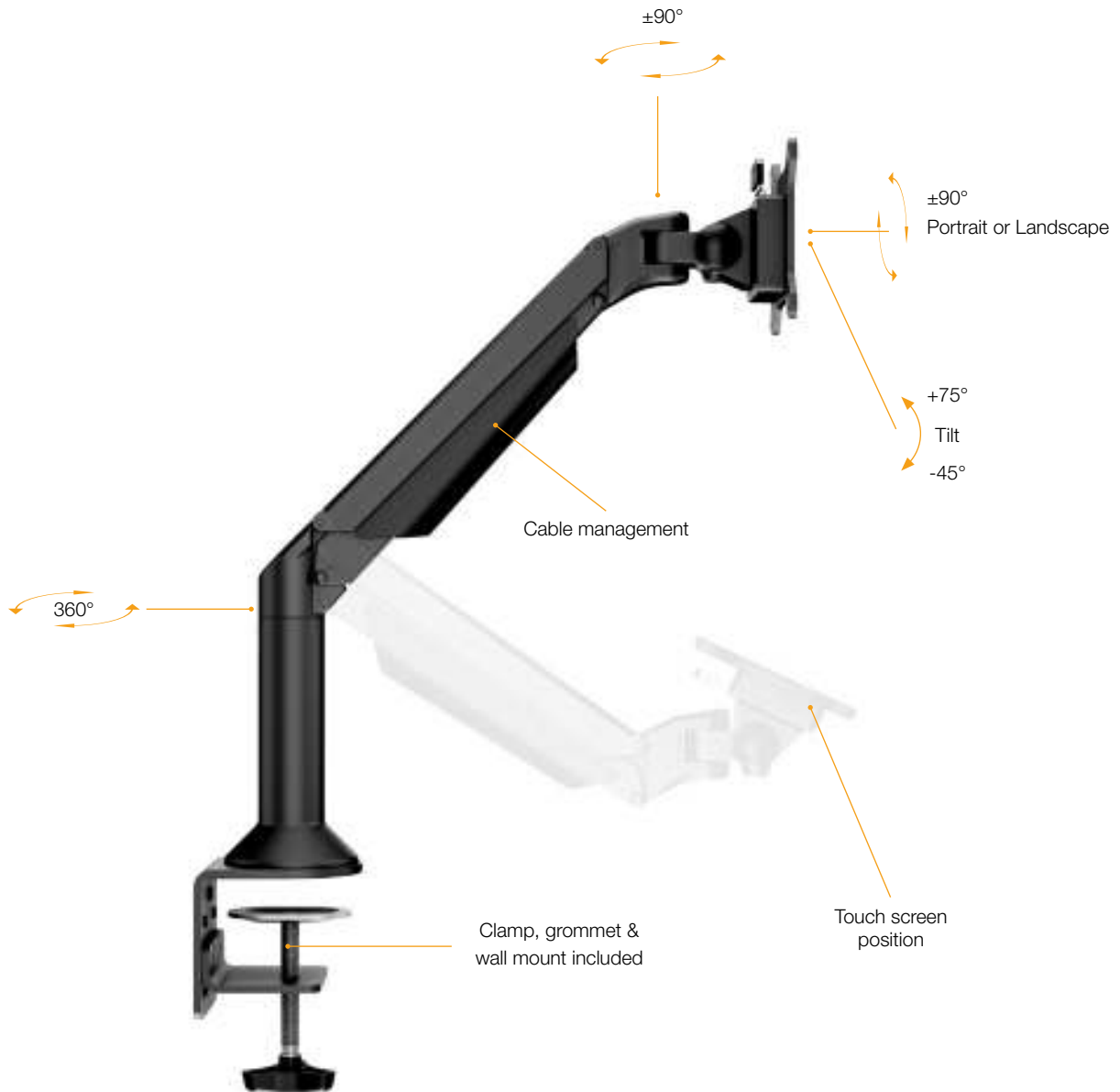
Height Adjustment



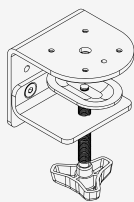
Cable Management

Ultraflexible, higher, lower
extended, retracted, tilt
or 360-degree rotation

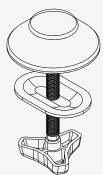




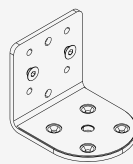
Choose the fixture that suits your work environment



Desk Clamp
(included)



Grommet
(included)



Wall Mount
(included)



Wall Adapter
(optional)



M VESA Gas Lift Arm Desk or Wall Basic Silver



M VESA Gas Lift Arm Desk or Wall Basic White



M VESA Gas Lift Arm Desk or Wall Black HD

M VESA Gas Lift Arm Desk or Wall Basic - Specification

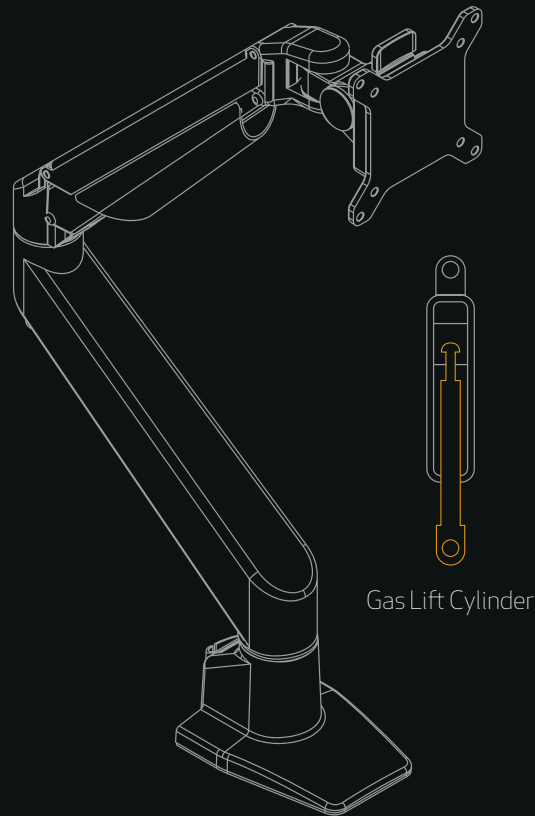
Model:	M VESA Gas Lift Arm Desk or Wall Basic Black	M VESA Gas Lift Arm Desk or Wall Basic White	M VESA Gas Lift Arm Desk or Wall Basic Silver	M VESA Gas Lift Arm Desk or Wall Basic Black HD
For screen size:	15-32"	15-32"	15-32"	15-32"
VESA standard:	75x75 100x100 mm	75x75 100x100 mm	75x75 100x100 mm	75x75 100x100 mm
Article No:	7 350 022 739 369	7 350 022 739 376	7 350 022 739 383	7 350 073 732 432
Colour:	Black	White	Silver	Black
Screen weight:	Min. 2 kg - Max. 10 kg	Min. 2 kg - Max. 10 kg	Min. 2 kg - Max. 10 kg	Min. 9 kg — Max. 21 kg
Function:	Gas driven piston	Gas driven piston	Gas driven piston	Gas driven piston
Warranty:	2 years	2 years	2 years	2 years
Weight:	2,4 kg	2,4 kg	2,4 kg	2,4 kg
Tilt angle:	+75 - -45 degrees	+75 - -45 degrees	+75 - -45 degrees	+75 - -45 degrees
Turn angle:	+90 - -90 degrees	+90 - -90 degrees	+90 - -90 degrees	+90 - -90 degrees
Rotate:	90 degrees	90 degrees	90 degrees	90 degrees

Originals

Our best seller. No time for discomfort.

HIGHLIGHTS:

- **Flexible fit**
Move your display to a perfect position, improve your daily use and ergonomics.
- **Better motion**
This arm easily adjusts monitors up to 32" in size.
- **Space saving**
Clear your desk and enlarge your working area.
- **Scandinavian design**
We designed this with both mechanics and aesthetics in mind.
- **Quick release**
Connects your screen to the arm with a snap.
- **Highest build quality**
This gas arm is built to last longer than our competitors by passing our 10000 cycle motion test.



Quick Release



Cable Management



Tilt Adjustment



Portrait/Landscape



Vesa Standard



Height Adjustment

Designed for everyday viewing comfort

Create the ultimate in monitor flexibility. This Full Motion Universal Desk Mount goes beyond simple movements by offering tool less movement and counter balance weight adjustment. The original M VESA Gas Lift Arm

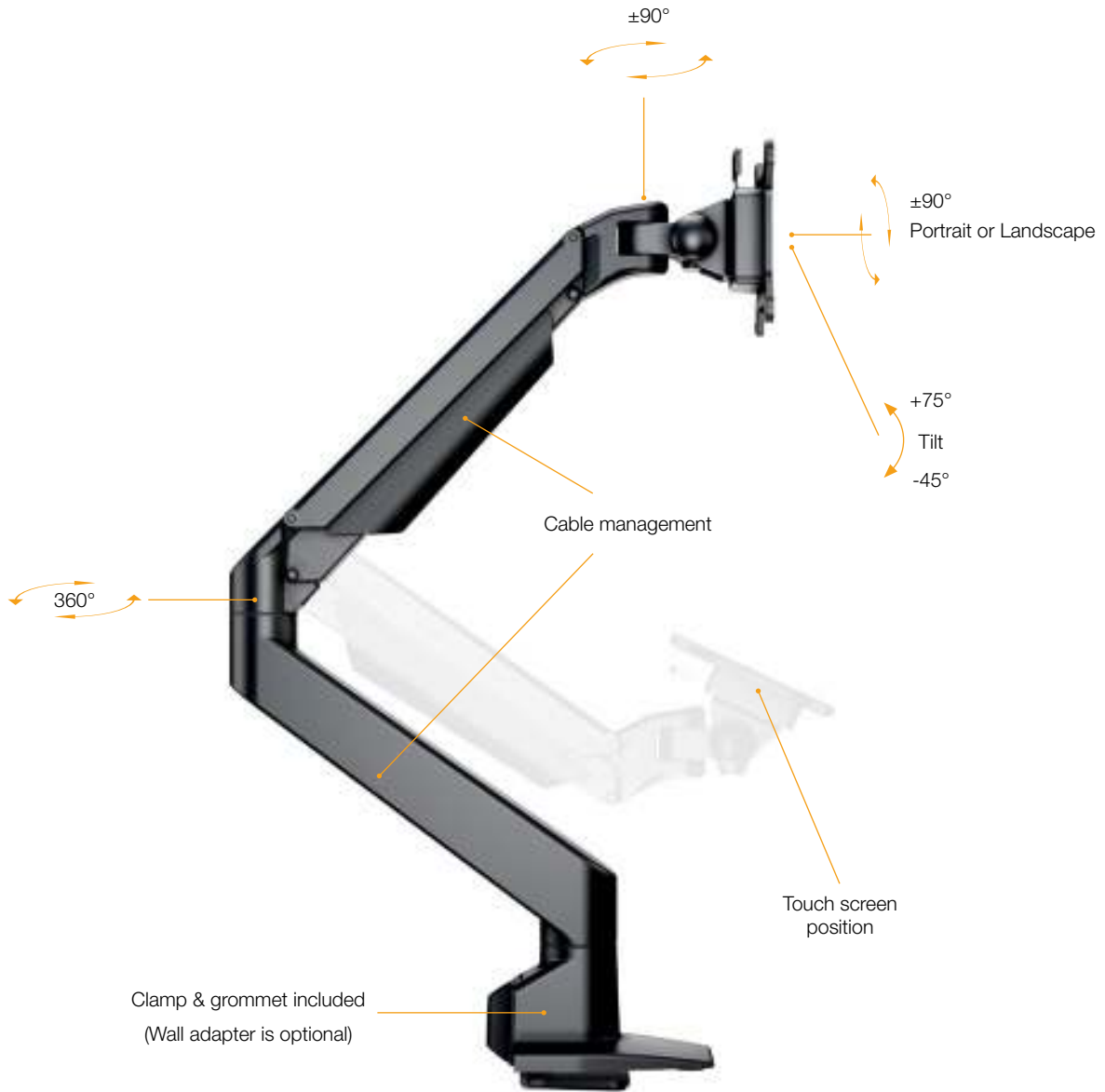
is made out of a durable aluminum construction and uses a gas driven suspension technique. Always finding your best view, saving desk space and letting you discover your most productive self, the M VESA Gas Lift Monitor Arm

always deliver. Place your screen where you need it for each project, and then reclaim a space full of opportunities by folding the arm and pushing it aside during a much needed screen break.



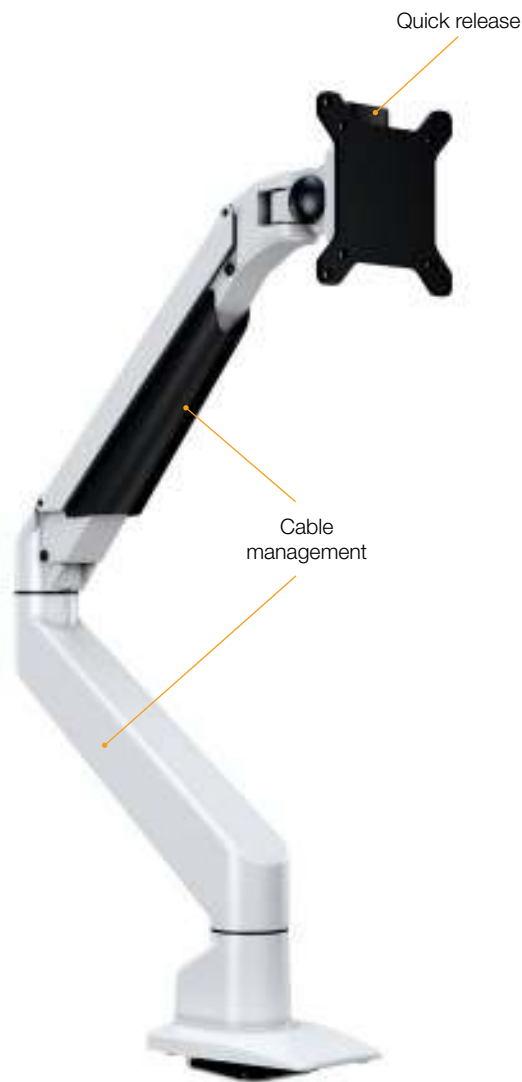
Aim for the highest quality
We build our gasarms for 10000 cycle tests





Originals - Specification

Model:	M VESA Gas Lift Arm Single Black	M VESA Gas Lift Arm Single Silver	M VESA Gas Lift Arm Single White
For screen size:	15-32"	15-32"	15-32"
VESA standard:	75x75 100x100 mm	75x75 100x100 mm	75x75 100x100 mm
Article No:	7 350 022 737 174	7 350 022 737 167	7 350 022 737 150
Colour:	Black	Silver	White
Screen weight:	Min. 2 kg – Max. 10 kg	Min. 2 kg – Max. 10 kg	Min. 2 kg – Max. 10 kg
Function:	Gas driven piston	Gas driven piston	Gas driven piston
Warranty:	2 years	2 years	2 years
Weight:	3,4 kg	3,4 kg	3,4 kg
Tilt angle:	+75 – -45 degrees	+75 – -45 degrees	+75 – -45 degrees
Turn angle:	+90 – -90 degrees	+90 – -90 degrees	+90 – -90 degrees
Rotate:	90 degrees	90 degrees	90 degrees



M VESA Gas Lift Arm **Single** White HD



M VESA Gas Lift Arm **Single** Silver HD



M VESA Gas Lift Arm **Single** Black HD

Originals - Specification

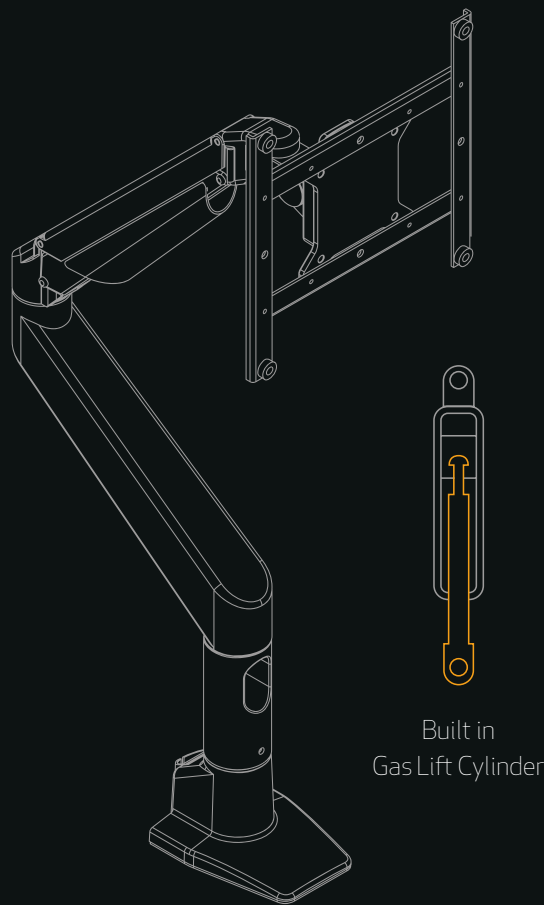
Model:	M VESA Gas Lift Arm Single Black HD	M VESA Gas Lift Arm Single Silver HD	M VESA Gas Lift Arm Single White HD
For screen size:	15-32"	15-32"	15-32"
VESA standard:	75x75 100x100 mm	75x75 100x100 mm	75x75 100x100 mm
Article No:	7 350 073 732 449	7 350 073 735 624	7 350 073 735 617
Colour:	Black	Silver	White
Screen weight:	Min. 9 kg — Max. 21 kg	Min. 9 kg — Max. 21 kg	Min. 9 kg — Max. 21 kg
Function:	Gas driven piston	Gas driven piston	Gas driven piston
Warranty:	2 years	2 years	2 years
Weight:	3,4 kg	3,4 kg	3,4 kg
Tilt angle:	+75 — -45 degrees	+75 — -45 degrees	+75 — -45 degrees
Turn angle:	+90 — -90 degrees	+90 — -90 degrees	+90 — -90 degrees
Rotate:	90 degrees	90 degrees	90 degrees

Large Displays

Add versatility for your large, curved and extra wide displays

HIGHLIGHTS:

- **Heavy duty**
Move your large size display to a perfect position.
- **Better motion**
This arm easily adjusts monitors up to 49" in size (check model and max size).
- **Space saving**
Clear your desk and enlarge your working area.
- **Scandinavian design**
We designed this with both mechanics and aesthetics in mind.
- **Quick release**
Connects your screen to the arm with a snap.
- **Highest build quality**
This gas arm is built to last longer than our competitors by passing our 10000 cycle motion test.



Built in Gas Lift Cylinder



XL Screens



Portrait/Landscape



Vesa Standard



Height Adjustment



Heavy Duty



Cable Management



Tilt



Quick Release

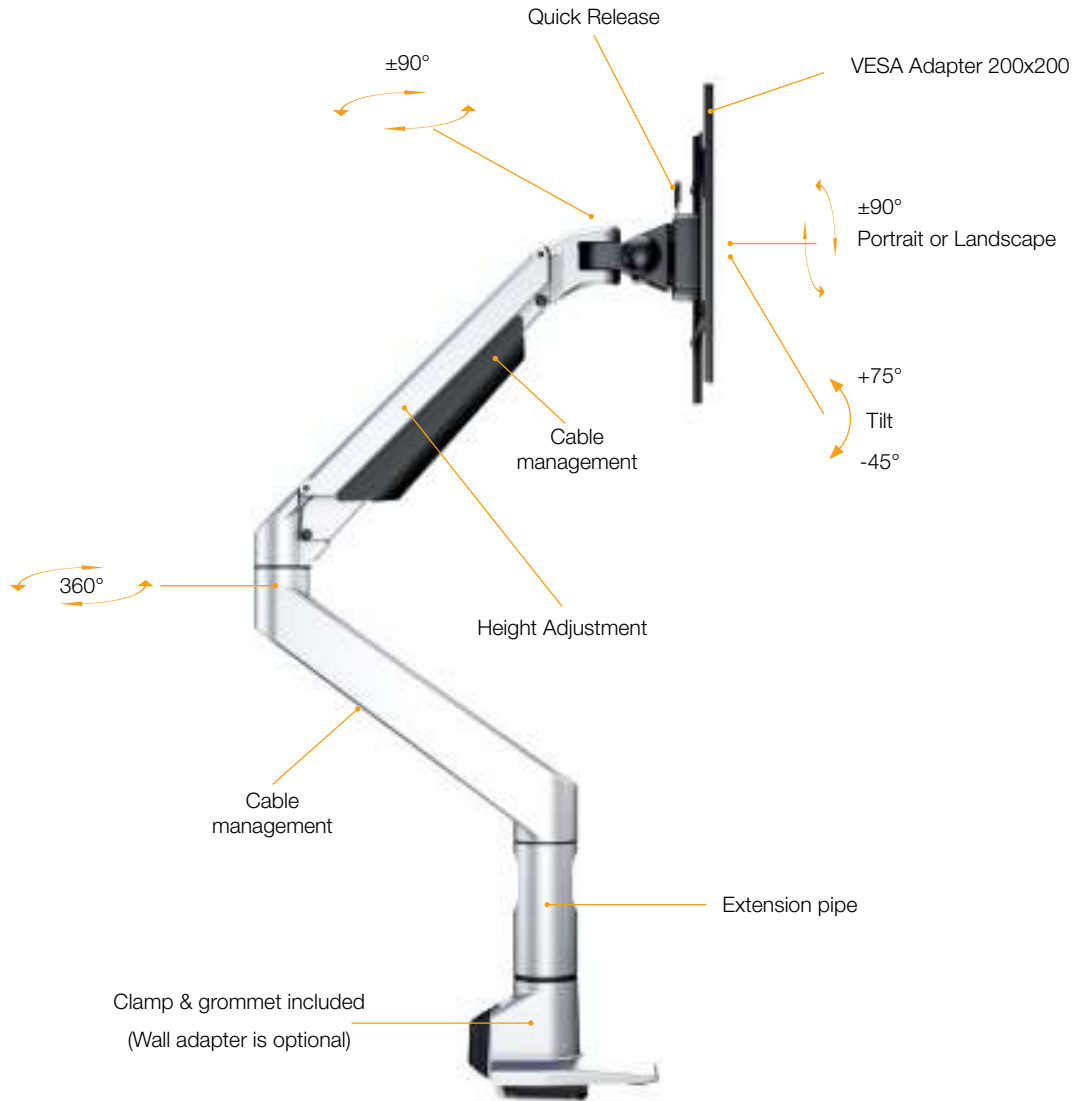
This gas arm is built to last longer than our competitors by passing our 10 000-cycle motion test. This Heavy Duty monitor arm series is cleverly designed and can be used with larger or heavier monitors on the market. All cables route through a smart cable management system solving the problem of messy cords over your desk

space. Finally, a Full Motion Universal Desk Mount goes beyond simple movements by offering tool-less movement and counter balance weight adjustment. The original MVESA Gas Lift Arm XL is made out of aerospace aluminium, it's construction utilizes a gas driven suspension system holding up to a massive 18kg. Always finding your best

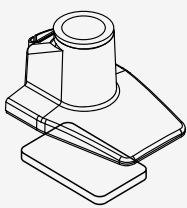
view, saving desk space and letting you discover your most productive self, the MVESA Gas Lift Monitor Arm XL series always deliver. Place your screen where you need it for each project, and then reclaim a space full of opportunities by folding the arm and pushing it aside during a much-needed screen.

Perfect for users
of large size and
heavier displays

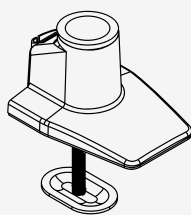




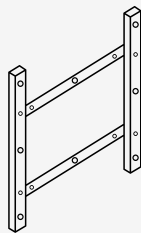
Choose the fixture that suits your work environment



Desk clamp
(included)



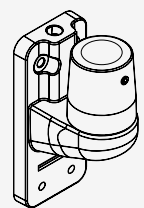
Grommet
(included)



VESA 200x100,
200x200
(included)



Extension pipe
(included)



Wall Adapter
(optional)



VESA 200x200 included

10 cm extension for large size screens

M VESA Gas Lift XL Single White HD



M VESA Gas Lift XL Single Silver HD



M VESA Gas Lift XL Single Black HD

Large Displays - Specification

Model:	M VESA Gas Lift XL Single Black	M VESA Gas Lift XL Single Silver	M VESA Gas Lift XL Single White	M VESA Gas Lift XL Single Black HD	M VESA Gas Lift XL Single Silver HD	M VESA Gas Lift XL Single White HD
For screen size:	15"-38"	15"-38"	15"-38"	15"-49"	15"-49"	15"-49"
VESA standard:	75x75 100x100 200x200 mm	75x75 100x100 200x200 mm	75x75 100x100 200x200 mm	75x75, 100x100 & 200x200 mm	75x75, 100x100 & 200x200 mm	75x75, 100x100 & 200x200 mm
Article No:	7 350 073 737 093	7 350 073 737 109	7 350 073 737 116	7 350 073 737 123	7 350 073 737 130	7 350 073 737 147
SKU included:	7174+5396+2548	7174+5396+2548	7174+5396+2548	2449+5396+2548	2449+5396+2548	2449+5396+2548
Colour:	Black	Silver	White	Black	Silver	White
Screen weight:	Min. 2 kg - Max. 10 kg	Min. 2 kg - Max. 10 kg	Min. 2 kg - Max. 10 kg	Min. 9 kg — Max. 18 kg	Min. 9 kg — Max. 18 kg	Min. 9 kg — Max. 18 kg
Function:	Gas driven piston	Gas driven piston	Gas driven piston	Gas driven piston	Gas driven piston	Gas driven piston
Warranty:	2 years	2 years	2 years	2 years	2 years	2 years
Weight:	3,4 kg	3,4 kg	3,4 kg	3,4 kg	3,4 kg	3,4 kg
Tilt angle:	+75 — -45 degrees	+75 — -45 degrees	+75 — -45 degrees	+75 — -45 degrees	+75 — -45 degrees	+75 — -45 degrees
Turn angle:	+90 — -90 degrees	+90 — -90 degrees	+90 — -90 degrees	+90 — -90 degrees	+90 — -90 degrees	+90 — -90 degrees
Rotate:	90 degrees	90 degrees	90 degrees	90 degrees	90 degrees	90 degrees

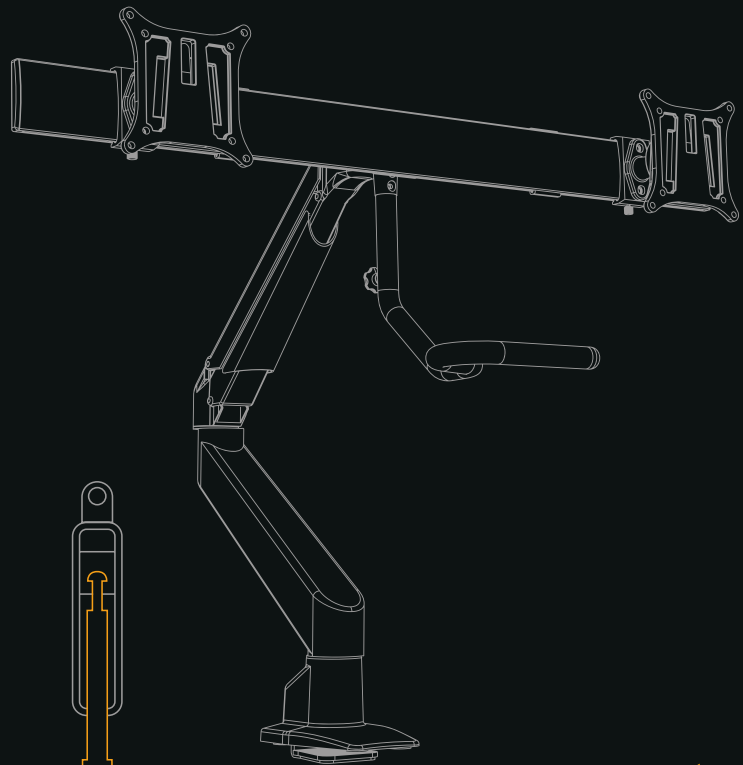
Dual Monitor

Increase effectivity

Reclaim desk space with dual monitors

HIGHLIGHTS:

- **Double your display area**
Perfectly aligns two LCD displays side by side, improve your daily use and increase efficiency.
- **Space saving**
Clear your desk and enlarge your working area.
- **Better motion**
This arm easily adjusts monitors up to 32" in size.
- **Scandinavian design**
We designed this with both mechanics and aesthetics in mind.
- **Highest build quality**
Our gas arms are built to last longer than our competitors by passing our 10000 cycle motion test.



Built in
Gas Lift Cylinder



Portrait/Landscape



Cable Management



Vesa Standard



Tilt



Height Adjustment



Quick Release



Dual Monitor

Did you know using dual monitors can increase productivity by up to 30%? In tests it has been found that considerable time can be saved if an employee uses more screens with documents open simultaneously, rather than opening and closing documents on a single screen. This low profile dual screen monitor arm series is aimed

to keep employees efficient as well as returning precious space. So, let's start reclaiming that desk space and get everyone more efficient while doing it. Create a fully adjustable dual monitor configuration that lifts both LCD screens simultaneously. Providing a compact range of motion and optimal ergonomic alignment.



Perfect for any user
who multitask or use
multiple documents
open at one given time





M VESA Gas Lift Arm Single Black with Duo Crossbar



M VESA Gas Lift Arm Single Silver with Duo Crossbar



M VESA Gas Lift Arm Single White with Duo Crossbar

Dual Monitor - Specification

Model:	M VESA Gas Lift Arm Single Black with Duo Crossbar	M VESA Gas Lift Arm Single Silver with Duo Crossbar	M VESA Gas Lift Arm Single White with Duo Crossbar	M VESA Gas Lift Arm Single Black HD with Duo Crossbar
For screen size:	15-32"	15-32"	15-32"	15-32"
VESA standard:	75x75 100x100 mm	75x75 100x100 mm	75x75 100x100 mm	75x75 100x100 mm
Article No:	7 350 073 735 921	7 350 073 735 938	7 350 073 735 945	7 350 073 735 952
Colour:	Black	Silver	White	Black
Screen weight:	Min. 2 kg — Max. 10 kg <small>As crossbar weight is 1.75 kg, max screen weight is 8.25 kg</small>	Min. 2 kg — Max. 10 kg <small>As crossbar weight is 1.75 kg, max screen weight is 8.25 kg</small>	Min. 2 kg — Max. 10 kg <small>As crossbar weight is 1.75 kg, max screen weight is 8.25 kg</small>	Min. 9 kg — Max. 21 kg
Function:	Gas driven piston	Gas driven piston	Gas driven piston	Gas driven piston
Warranty:	2 years	2 years	2 years	2 years
Weight:	3.4 kg + 1.75 kg	3.4 kg + 1.75 kg	3.4 kg + 1.75 kg	3.4 kg + 1.75 kg
Tilt angle:	+75 — -45 degrees	+75 — -45 degrees	+75 — -45 degrees	+75 — -45 degrees
Turn angle:	+90 — -90 degrees	+90 — -90 degrees	+90 — -90 degrees	+90 — -90 degrees
Rotate:	90 degrees	90 degrees	90 degrees	90 degrees



M VESA Gas Lift Arm Single with Duo Crossbar 2 Black



M VESA Gas Lift Arm Single with Duo Crossbar 2 Silver



M VESA Gas Lift Arm Single with Duo Crossbar 2 White

Dual Monitor- Specification

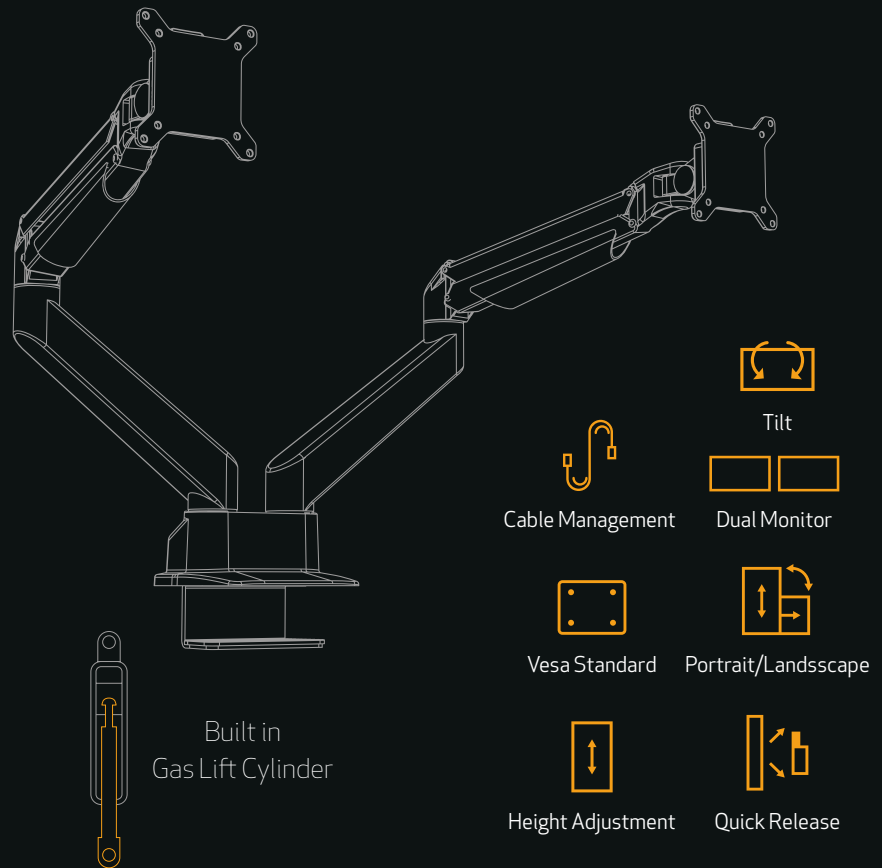
Model:	M VESA Gas Lift Arm with Duo Crossbar 2 Black	M VESA Gas Lift Arm with Duo Crossbar 2 Silver	M VESA Gas Lift Arm with Duo Crossbar 2 White
For screen size:	15" - 28"	15" - 28"	15" - 28"
VESA standard:	75x75 100x100 mm	75x75 100x100 mm	75x75 100x100 mm
Article No:	7 350 073 736 355	7 350 073 736 362	7 350 073 736 379
Colour:	Black	Silver	White
Screen weight:	Min. 2 x 2 kg - Max. 2 x 7 kg	Min. 2 x 2 kg - Max. 2 x 7 kg	Min. 2 x 2 kg - Max. 2 x 7 kg
Function:	Gas driven piston	Gas driven piston	Gas driven piston
Weight:	4.1 kg	4.1 kg	4.1 kg
Tilt angle:	+25 - -25°	+25 - -25°	+25 - -25°
Turn angle:	+90 - -90°	+90 - -90°	+90 - -90°
Rotate:	360°	360°	360°
Measurements:	665x120x515 (D*W*H)	665x120x515 (D*W*H)	665x120x515 (D*W*H)
Adjustable height from table top to VESA plate center:	175 - 515mm	175 - 515mm	175 - 515mm
Installation:	Desk clamp, adjustable 10 - 50mm	Desk clamp, adjustable 10 - 50mm	Desk clamp, adjustable 10 - 50mm
Warranty:	2 years	2 years	2 years

Dual Monitor Side By Side

Optimize space, productivity and comfort with dual monitors side by side

HIGHLIGHTS:

- **Super flexible**
Designed for side by side, low, high screen angle views.
- **Space saving**
Clears your desk, creates extra workspace.
- **Better motion**
This arm positions two monitors up, down, landscape or portrait.
- **Scandinavian design**
We designed this with both mechanics and aesthetics in mind.
- **Highest build quality**
Our gas arms are built to last longer than our competitors by passing our 10000 cycle motion test.



Increasingly, computer users are adding second monitors to their desk setups to allow for easier task switching and comparison between multiple files. Actually, using two displays side by side, according to independent tests, can increase productivity by up to 30%. Our range of side by side dual monitor

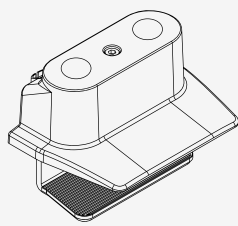
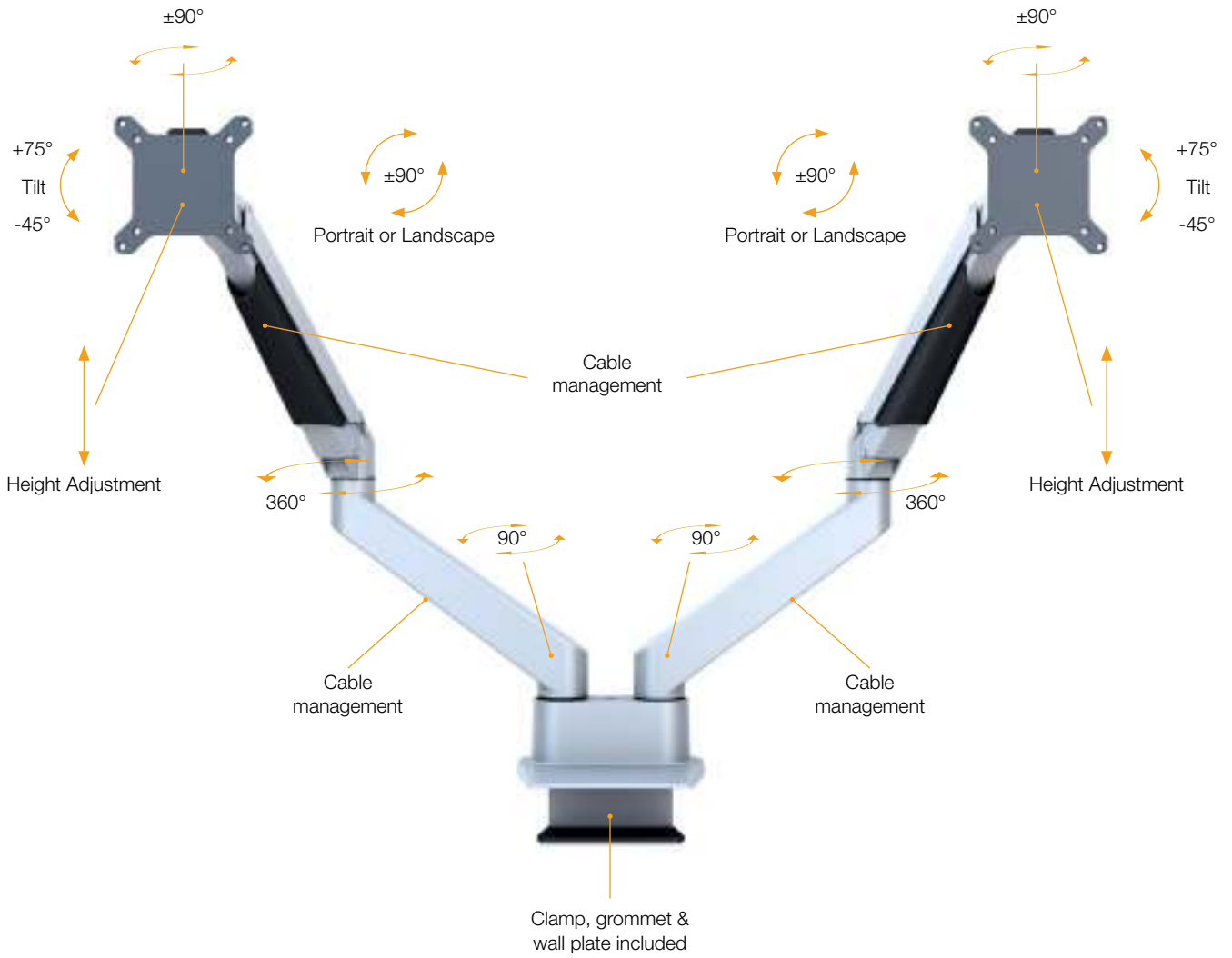
display, effortlessly adjusts to suit your needs. Featuring extendable and retractable arms which tilt to alter reading angles, not to mention rotating to either portrait or landscape modes. Having each monitor on individual gas driven arm allows one screen in landscape and the other in portrait as well

as having the displays at a different distance depending how your eyes are responding. Our Side by side dual screen monitor arm series is aimed to keep coworkers efficient as well as clear desk space.

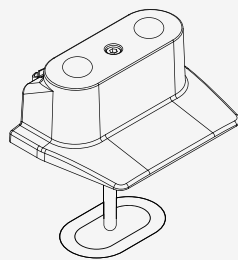


Perfectly suited for users who require unparalleled range of motion or use multiple applications at once during their daily work

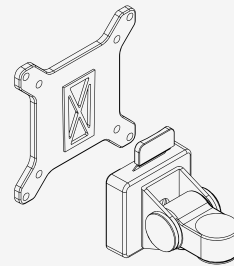




Desk clamp (included)



Grommet (included)



Quick release (included)



M VESA Gas Lift Arm **Dual Side by Side** Black



M VESA Gas Lift Arm **Dual Side by Side** White



M VESA Gas Lift Arm **Dual Side by Side** Silver

Dual Monitor Side by Side - Specification

Model:	M VESA Gas Lift Arm Dual Side by Side Black	M VESA Gas Lift Arm Dual Side by Side White	M VESA Gas Lift Arm Dual Side by Side Silver	M VESA Gas Lift Arm Dual Side by Side Black HD
Article No:	7 350 073 733 965	7 350 073 733 989	7 350 073 733 972	7 350 073 734 207
Colour:	Black	White	Silver	Black
Surface Finish:	Powder coating	Powder coating	Powder coating	Powder coating
Material:	Aluminum, Steel	Aluminum, Steel	Aluminum, Steel	Aluminum, Steel
For screen size:	15"-32" * depending on screen type	15"-32" * depending on screen type	15"-32" * depending on screen type	15-32"
VESA standard:	75x75 100x100 mm	75x75 100x100 mm	75x75 100x100 mm	75x75 100x100 mm
Screen weight:	Min:2 kg Max. 10 kg	Min:2 kg Max. 10 kg	Min:2 kg Max. 10 kg	Min:9 kg - Max. 21 kg
Function:	Gas driven piston	Gas driven piston	Gas driven piston	Gas driven piston
Product size:	1300x650x605 mm	1300x650x605 mm	1300x650x605 mm	1300*650*605mm
Weight:	6.8 kg	6.8 kg	6.8 kg	6.8 kg
Tilt angle:	+75 - 45 degrees	+75 - 45 degrees	+75 - 45 degrees	+75 - 45 degrees
Turn angle:	+90 - 90 degrees	+90 - 90 degrees	+90 - 90 degrees	+90 - 90 degrees
Rotate:	90 degrees	90 degrees	90 degrees	90 degrees
Installation:	Desk clamp, adjustable 10-50 mm	Desk clamp, adjustable 10-50 mm	Desk clamp, adjustable 10-50 mm	Desk clamp, adjustable 10-85 mm
Cable Management:	Yes	Yes	Yes	Yes
Warranty:	2 years	2 years	2 years	2 years

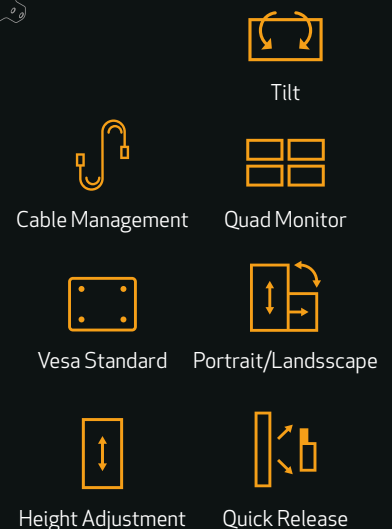
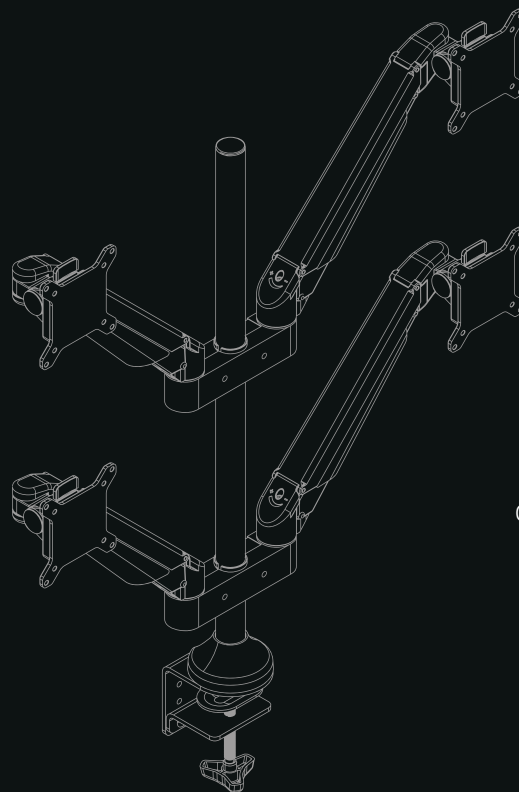
Multi Monitor Solutions

Dual & Quad

Multiple monitors can streamline your work and increase your work productivity

HIGHLIGHTS:

- **Super flexible**
Two or four monitors independently adjustable to fit your daily needs.
- **Space saving**
Clears your desk and creates extra workspace while maximizing comfort.
- **Heavy duty**
Single Pole with heavy duty clamp.
- **Well designed**
3rd generation Gas arm designed with both mechanics and aesthetics in mind.
- **Highest build quality**
Our gas arms are built to last longer than our competitors by passing our 10000 cycle motion test.



We believe the M VESA Gas Lift Arm Dual/Quad series to be one of the world's best multi monitor arm systems. The durable system made out of mainly aluminum can safely secure two or up to four monitors at once and with its accessories it can accommodate various configurations. Utilizing the Multibrackets new generation of Quick release monitor arms it provides

cutting edge features for any IT department to reduce downtime if monitor service is needed. M VESA Gas Lift Arm Dual/Quad is perfect for the modern workplace and encourages flexibility and collaboration at the workstation. After installation one can easily set each monitor at an optimal distance and height, this increases usable desk space and allows the user to work in

a healthy posture throughout the day even with as much as 4 different monitors at the desk. The built in innovative cable management system will guarantee that your desk remains uncluttered. With the aim to be simple to install, easy to use, this series provides an overall reduced cost of ownership.

Maximize
desk space
and improve
productivity





M VESA Gas Lift Arm Dual Black



M VESA Gas Lift Arm Dual Silver



M VESA Gas Lift Arm Dual White

Multi Monitor Solutions - Dual - Specification

Model:	M VESA Gas Lift Arm Dual Black	M VESA Gas Lift Arm Dual Silver	M VESA Gas Lift Arm Dual White	M VESA Gas Lift Arm Dual Black HD
For screen size:	15-(32)"*	15-(32)"*	15-(32)"*	15-(32)"*
VESA standard:	75x75 100x100 mm	75x75 100x100 mm	75x75 100x100 mm	75x75 100x100 mm
Article No:	7 350 022 737 204	7 350 022 737 198	7 350 022 737 181	7 350 073 732 593
Colour:	Black	Silver	White	Black
Screen weight:	Min. 2 kg Max. 10 kg	Min. 2 kg Max. 10 kg	Min. 2 kg Max. 10 kg	Min. 9 kg Max. 21 kg
Function:	Gas driven piston	Gas driven piston	Gas driven piston	Gas driven piston
Warranty:	2 years	2 years	2 years	2 years
Weight:	10,3 kg	10,3 kg	10,3 kg	10,3 kg
Tilt angle:	+75 - 45 degrees	+75 - 45 degrees	+75 - 45 degrees	+75 - 45 degrees
Turn angle:	+90 - 90 degrees	+90 - 90 degrees	+90 - 90 degrees	+90 - 90 degrees
Rotate:	90 degrees	90 degrees	90 degrees	90 degrees



M VESA Gas Lift Arm Quad Black



M VESA Gas Lift Arm Quad White



M VESA Gas Lift Arm Quad Silver

Multi Monitor Solutions - Quad - Specification

Model:	M VESA Gas Lift Arm Quad Black	M VESA Gas Lift Arm Quad Silver	M VESA Gas Lift Arm Quad White	M VESA Gas Lift Arm Quad Black HD
For screen size:	15 - (32")	15 - (32")	15 - (32")	15 - (32")
VESA standard:	75x75 100x100 mm	75x75 100x100 mm	75x75 100x100 mm	75x75 100x100 mm
Article No:	7 350 022 737 235	7 350 022 737 228	7 350 022 737 211	7 350 073 732 609
Colour:	Black	Silver	White	Black
Screen weight:	Min. 2 kg Max. 10 kg	Min. 2 kg Max. 10 kg	Min. 2 kg Max. 10 kg	Min. 9 kg Max. 21 kg
Function:	Gas driven piston	Gas driven piston	Gas driven piston	Gas driven piston
Warranty:	2 years	2 years	2 years	2 years
Weight:	10,3 kg	10,3 kg	10,3 kg	10,3 kg
Tilt angle:	+75 - 45 degrees	+75 - 45 degrees	+75 - 45 degrees	+75 - 45 degrees
Turn angle:	+90 - 90 degrees	+90 - 90 degrees	+90 - 90 degrees	+90 - 90 degrees
Rotate:	90 degrees	90 degrees	90 degrees	90 degrees

Accessories

Gas Lift Arms



M Laptop Holder Gaslift Arm

Lets start utilizing your notebook as a second screen. Add this accessory to a gaslift arm and start position your notebook computer where you need it most.

Works with most traditional laptops or the convertible notebooks, in either tablet or laptop mode.

Give your gaslift more Flexibility

Multibrackets complete selection of accessories:
Add-ons to customize your mount

Lets find the right accessories to your work desk

Multibrackets complete selection of accessories and optional add ons for our Gas arm series. Lets customize your Multibrackets monitor mount to fit you and your workspace even better.

With one of the most comprehensive and wide assortments of Gasarms we also strive to have a wide assortment of accessories to add individualized freedom and flexibility even further.

This assortment is updated on a continuous basis, check online for the latest updates.





Model:	M VESA 75 100 Duo Crossbar with handle Black	M VESA 75 100 Duo Crossbar with handle Silver	M VESA 75 100 Duo Crossbar with handle White	M VESA 75 100 Duo Quick Release Plate Black
Article No:	7 350 073 734 894	7 350 073 734 900	7 350 073 734 917	7 350 073 730 711
Suitable for:	M VESA Gas Lift Arm Single	M VESA Gas Lift Arm Single	M VESA Gas Lift Arm Single	M VESA Gas Lift Arm Single
For screen size:	2 x 17-23"	2 x 17-23"	2 x 17-23"	2 x 17-23"
Colour:	Black	Silver	White	Black
Weight:	1.75 kg	1.75 kg	1.75 kg	2 kg
Warranty:	5 years	5 years	5 years	5 years



Model:	M Duo Deskmount Black	M Duo Deskmount Silver	M Duo Deskmount White	M Gas Lift VESA Adapter 200x200
Article No:	7 350 073 730 704	7 350 073 730 896	7 350 073 730 902	7 350 073 732 548
Suitable for:	M VESA Gas Lift Arm Single	M VESA Gas Lift Arm Single	M VESA Gas Lift Arm Single	M VESA Gas Lift Arm Series with VESA mounting
Colour:	Black	Silver	White	Silver
Weight:	2 kg	2 kg	2 kg	0.35 kg
Warranty:	5 years	5 years	5 years	5 years



Model:	M Extension Pipe 10cm for M VESA Gas Lift Arm Single Black	M Extension Pipe 10cm for M VESA Gas Lift Arm Single Silver	M Extension Pipe 10cm for M VESA Gas Lift Arm Single White	M VESA 75 100 Quick Release Plate
Article No:	7 350 073 735 396	7 350 073 735 402	7 350 073 735 419	7 350 073 738 014
Suitable for:	M VESA Gas Lift Arm Single / Single HD	M VESA Gas Lift Arm Single / Single HD	M VESA Gas Lift Arm Single / Single HD	M VESA Gas Lift Arm Single / Single HD
Colour:	Black	Silver	White	Black
Weight:	0.35 kg	0.35 kg	0.35 kg	0.1 kg
Warranty:	5 years	5 years	5 years	5 years



Model:	M Wall Adapter Single Black	M Wall Adapter Single Silver	M Wall Adapter Single White
Article No:	7 350 073 731 381	7 350 073 731 374	7 350 073 731 367
Suitable for:	M VESA Gas Lift Arm Single	M VESA Gas Lift Arm Single	M VESA Gas Lift Arm Single
Colour:	Black	Silver	White
Weight:	0.6 kg	0.6 kg	0.6 kg
Warranty:	5 years	5 years	5 years



Model:	M Wall Adapter Basic Black	M Wall Adapter Basic Silver	M Wall Adapter Basic White
Article No:	7 350 073 731 350	7 350 073 731 343	7 350 073 731 336
Suitable for:	M VESA Gas Lift Arm Basic	M VESA Gas Lift Arm Basic	M VESA Gas Lift Arm Basic
Colour:	Black	Silver	White
Weight:	0.6 kg	0.6 kg	0.6 kg
Warranty:	5 years	5 years	5 years



Model:	M Laptop Holder Gas Lift Arm Black	M Laptop Holder Gas Lift Arm Silver	M Laptop Holder Gas Lift Arm White
Article No:	7 350 022 737 525	7 350 022 737 532	7 350 022 737 518
Suitable for:	M VESA Gas Lift Arm or any other VESA mount	M VESA Gas Lift Arm or any other VESA mount	M VESA Gas Lift Arm or any other VESA mount
Colour:	Black	Silver	White
Weight:	0.5 kg	0.5 kg	0.5 kg
Warranty:	5 years	5 years	5 years

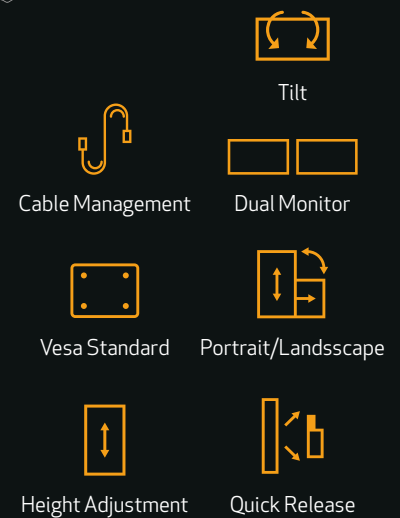
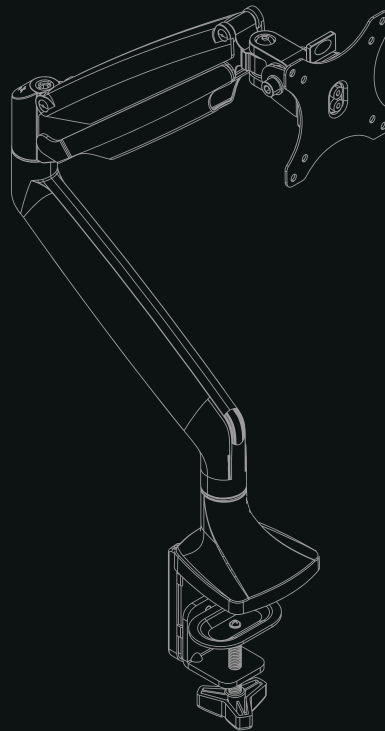
■ VESA GAS LIFT ARMS

M Vesa Gas Lift Single & Dual

Battle today's fast paced environments with increased efficiency and reclaimed desk space

HIGHLIGHTS:

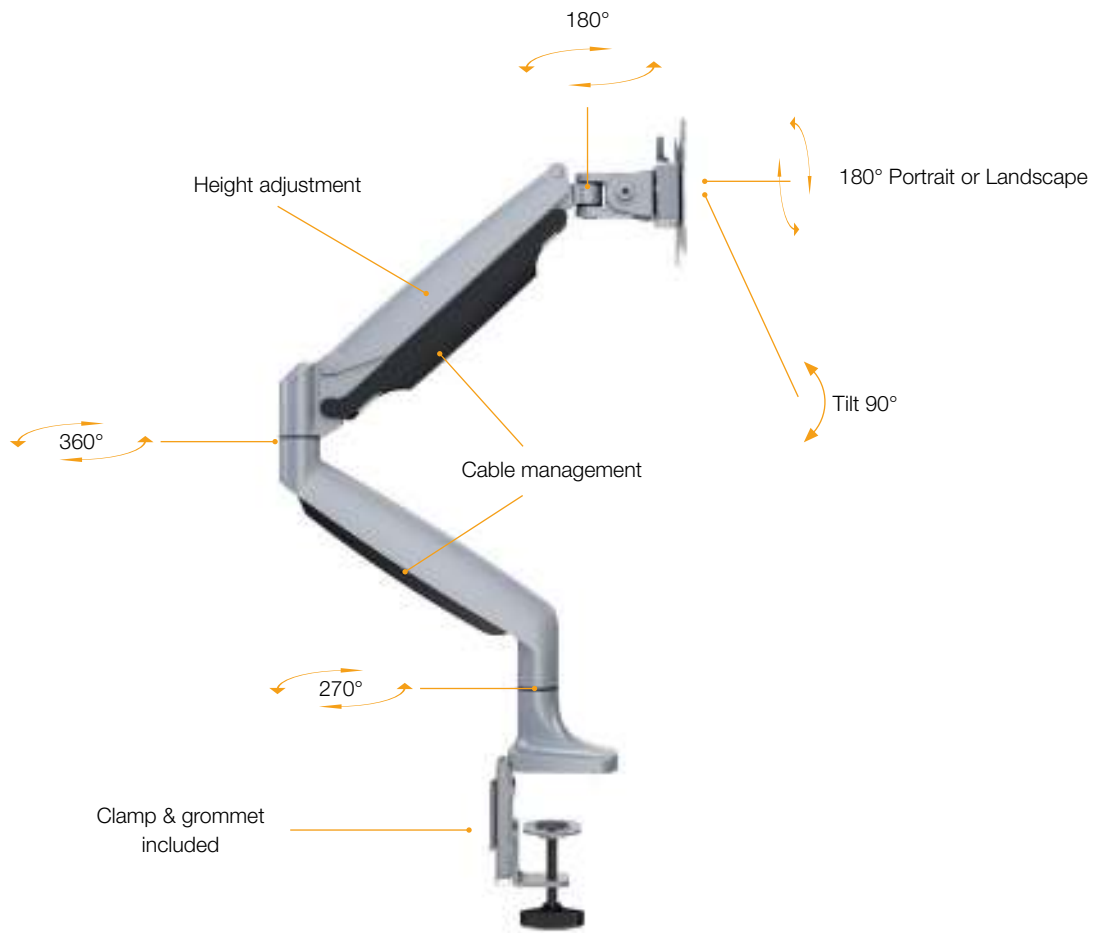
- Exceptional range of flexible motion featuring 90° to +90° tilt, 180° swivel, and 180° rotation.
- Monitor can be placed in portrait or landscape.
- High grade aluminum arm features a stylish anti scratch surface.
- Smart built in cable management system.
- Supports monitors with VESA 75/100 from 1 kg up to 9 kg.
- Clamp and grommet included as standard.
- Easy installation and tool less monitor placement with perfect counterbalance presentation in all directions.



Our gas arms are built to last longer than our competitors by passing our 10 000 cycle motion test. We believe the M VESA Gas Lift Arm Dual/Quad series to be one of the world's best multi monitor arm systems. The durable system is mainly constructed from aluminium and can safely secure two or up to four monitors at once with accessories in various configurations. Utilizing Multibrackets new generation

of Quick release monitor arms it provides cutting edge features for any IT department to reduce downtime if monitor service and maintenance is needed. M VESA Gas Lift Arm Dual/Quad is perfect for the modern workplace and encourages flexibility and collaboration at the workstation. After installation one can easily set each monitor at an optimal distance and height. This also increase usable desk

space and allows the user to work in a healthy posture throughout the day even with as many as 4 different monitors on the desk. The built in innovative cable management system will guarantee that your desk remains uncluttered. With the aim to be simple to install, easy to use, this series provides an overall reduced cost of ownership.



Unparalleled range of motion

The ideal solution for offices, classrooms, foyers or any other place you may need.





M Deskmount Gas Spring Single Black



M Deskmount Gas Spring Single Silver



M Deskmount Gas Spring Single White

M Deskmount Gas Spring Single - Specification

Model:	M Deskmount Gas Spring Single Black	M Deskmount Gas Spring Single Silver	M Deskmount Gas Spring Single White
Article No:	7 350 073 733 262	7 350 073 733 255	7 350 073 737 079
Colour:	Black	Silver	White
For screen size:	15-27"	15-27"	15-27"
Universal & VESA standard:	75x75 100x100 mm	75x75 100x100 mm	75x75 100x100 mm
Material	Aluminum, Steel	Aluminum, Steel	Aluminum, Steel
Weight	3.4 kg	3.4 kg	3.4 kg
Max load:	Min load: 1 kg - Max load: 9 kg	Min load: 1 kg - Max load: 9 kg	Min load: 1 kg - Max load: 9 kg
Height:	170 - 505mm Adjustable from table top to VESA plate center	170 - 505mm Adjustable from table top to VESA plate center	170 - 505mm Adjustable from table top to VESA plate center
Tilt:	Yes	Yes	Yes
For desktop width:	10 - 85mm	10 - 85mm	10 - 85mm
Warranty:	2 years	2 years	2 years



M Deskmount Gas Spring Dual Black



M Deskmount Gas Spring Dual Silver



M Deskmount Gas Spring Dual White

M Deskmount Gas Spring Dual - Specification

Model:	M Deskmount Gas Spring Dual Black	M Deskmount Gas Spring Dual Silver	M Deskmount Gas Spring Dual White
Article No:	7 350 073 733 286	7 350 073 733 279	7 350 073 737 086
Colour:	Black	Silver	White
For screen size:	15-27"	15-27"	15-27"
Universal & VESA standard:	75x75 100x100 mm	75x75 100x100 mm	75x75 100x100 mm
Material	Aluminum, Steel	Aluminum, Steel	Aluminum, Steel
Weight	6 kg	6 kg	6 kg
Max load:	Min load: 1 kg - Max load: 9 kg	Min load: 1 kg - Max load: 9 kg	Min load: 1 kg - Max load: 9 kg
Adjustable height from table top to VESA plate center:	170 - 505mm	170 - 505mm	170 - 505mm
Tilt:	Yes	Yes	Yes
For desktop width:	10 - 85mm	10 - 85mm	10 - 85mm
Warranty:	2 years	2 years	2 years

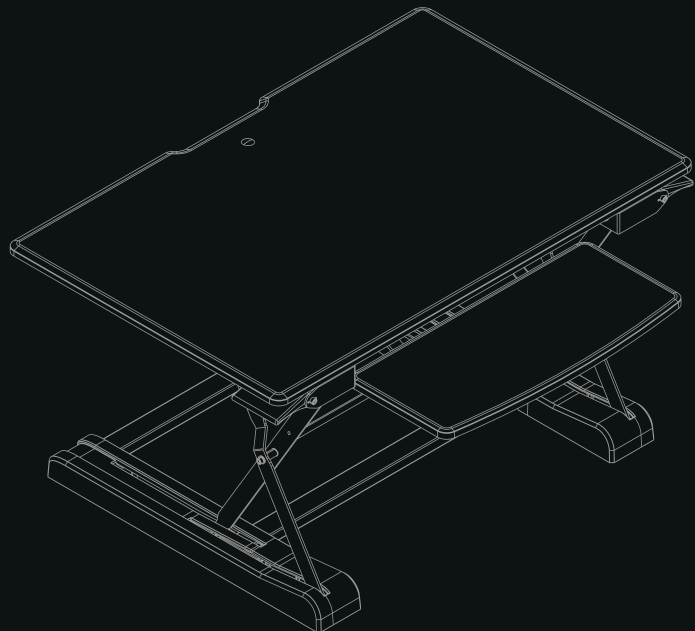
Deskstands/Workstations

Elevate productivity

Smart Workstation solutions promotes long term healthy computing

HIGHLIGHTS:

- **Super flexible**
Individually fine tune your monitor for how you work best.
- **Space saving**
Clears your desk and creates extra workspace while maximizing comfort.
- **Stability & durability**
Best in class stability & tested over 10000 times.
- **Effortless and Virtually Silent**
No cranking, no clicking, your display will move effortlessly.
- **Build quality**
Our Workstations are built to last longer than our competitors.



Our Workstations are built to last longer than our competitors. Whether you are sitting or standing our wall or desk mounted counterbalanced Workstation Arms let you position your monitor in the most ideal ergonomic position for you. For both Workstation Arms and Easy Stand there are no fixed heights, no cranking, no clicking unlike many other products out there. By elevating your monitor or monitors, you will free up the space below for other important items. That means you will have more

space for multitasking. Another benefit is the added viewing capabilities. Have you ever had to share a presentation at your desk or perhaps with a patient (medical applications)? Having a Workstation monitor arm can make that kind of viewing experience a whole lot more enjoyable.

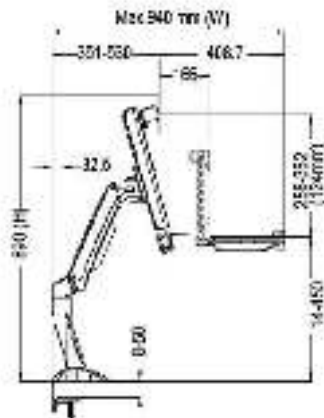
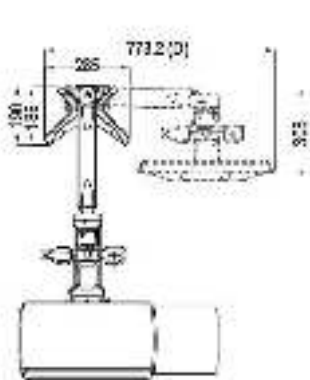
Easy Stand Workstations is our range of counterbalanced height adjustable desktop Workstations. Available as a single and dual monitor solution this will reduce the strain on

your shoulders, neck, and eyes when properly positioned. A great solution for flexible and comfortable working year around. Easily placed onto any desktop it adds a worksurface that stays with you as you sit or stand. With a click you simultaneously lift your keyboard and LCD screens to proper height, with another click you can lower it back to the desktop.



Specification

Model:	M Flex Desk Workstation
Article No:	7 350 073 734 634
Colour:	Black
For screen size:	15-27" (with rotated screen max 24")
Universal & VESA standard:	75x75 100x100 mm M4
Material	Steel, Aluminum, Plastic
Weight	11.4 kg
Size:	940 x 890 x 773 mm
Max load display:	2-8kg
Max load keyboard:	2.5kg
Keyboard area:	449 x 207 mm
Keyboard tilt:	0 ~ 90°
Hinge tilt:	--5° ~ +35°
Hinge swivel:	+/-90°
Hinge pivot:	360°
Height adjust:	124mm / 436 mm
Torque adjust:	Yes
Tilt arm adjust:	- 30° ~ + 65°
Cable Management:	Yes
Installation:	Desk mount
Warranty:	2 years



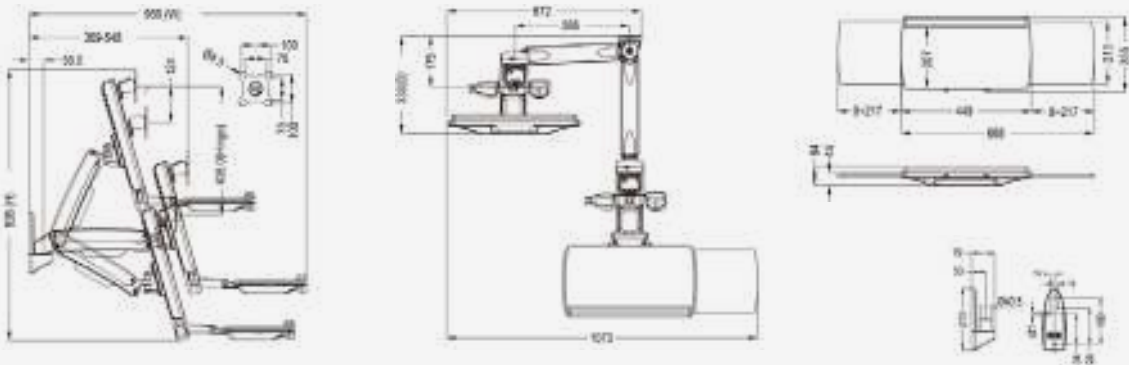
Model:	M Workstation Arm Single
Article No:	7 350 073 734 351
Colour:	White
For screen size:	15-27" (with rotated screen max 24")
Universal & VESA standard:	75x75 100x100 mm M4
Material	Steel, Aluminum, Plastic
Weight	9.3 kg
Size:	956 x 926 x 333 mm
Max load display:	2-8kg
Max load keyboard:	2.5kg
Keyboard area:	449 x 207 mm
Keyboard tilt:	0 ~ 90°
Hinge tilt:	-5° ~ +35°
Hinge swivel:	+/-90°
Hinge pivot:	360°
Height adjust:	124mm
Torque adjust:	Yes
Tilt arm adjust:	- 30° ~ + 65°
Cable Management:	Yes
Installation:	Wall mount
Warranty:	2 years



M Workstation Arm Single

The M Workstation Arm is made of high grade aluminum and its Scandinavian design heritage can clearly be noticed. Made to free up space and allowing positioning of your display and keyboard for great productivity as well not being in the way when not needed.

M Workstation Arm Single - Technical Drawing



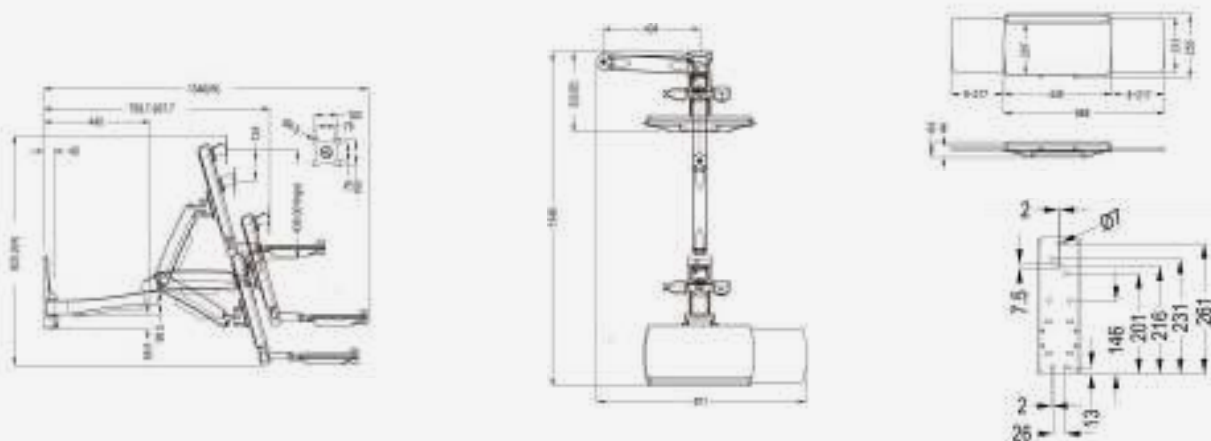
Model:	M Workstation Arm Single Extended
Article No:	7 350 073 734 368
Colour:	White
For screen size:	15-27" (with rotated screen max 24")
Universal & VESA standard:	75x75 100x100 mm M4
Material:	Steel, Aluminum, Plastic
Weight:	11.4 kg
Size:	1346 x 925.3 x 322 mm
Max load display:	2-8kg
Max load keyboard:	2.5kg
Keyboard area:	449 x 207 mm
Keyboard tilt:	0 - 90°
Hinge tilt:	-5° ~ +35°
Hinge swivel:	+/-90°
Hinge pivot:	360°
Height adjust:	124mm
Torque adjust:	Yes
Tilt arm adjust:	- 30° ~ + 65°
Cable Management:	Yes
Installation:	Wall mount
Warranty:	2 years



M Workstation Arm Single Extended

The M Workstation Arm is made of high grade aluminum and its Scandinavian design heritage can clearly be noticed. Made to free up space and allowing positioning of your display and keyboard for great productivity as well not being in the way when not needed.

M Workstation Arm Extended - Technical Drawing





M Deskstand **Workstation II**

Usable in environments where monitor flexibility & presentations shared with colleagues is of essence



M Deskstand **Workstation I**



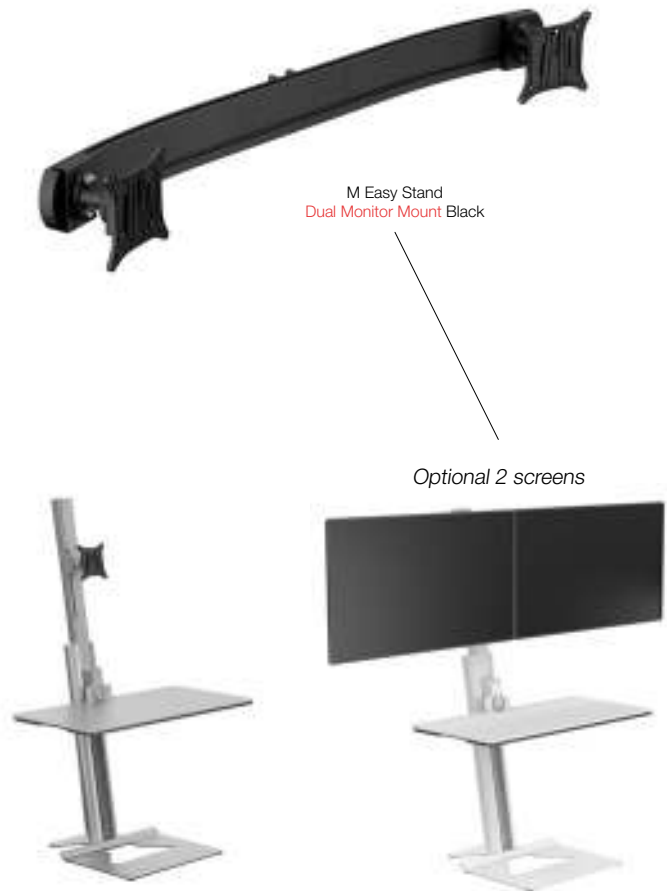
Combined sitting and standing position

M Deskstand Workstation - Specification

	M Deskstand Workstation I	M Deskstand Workstation II
Model:	M Deskstand Workstation I	M Deskstand Workstation II
Article No:	7 350 073 734 337	7 350 073 734 344
For screen size:	15"-27"	15"-27"
Type:	Sit and Stand Table	Sit and Stand Table
Universal & VESA standard:	100x100 to 600x400 max	100x100 to 600x400 max
Material:	Steel, Wood, Plastic	Steel, Wood, Plastic
Color:	Black	Black
Surface Finish:	Plastic Black	Plastic Black
Weight:	24.3 kg	24.3 kg
Measurements:	915 x 607 x 485 mm	915 x 607 x 485 mm
Max Load:	2 kg ~15 kg	2 kg ~15 kg
Height folded:	115mm	115mm
Height adjustment:	370mm	370mm
Height adjustment range:	115mm ~ 485 mm	115mm ~ 485 mm
Max.Working Space:	915 x 600mm	915 x 600mm
Keyboard tray:	No	Yes, 525 x 190mm
Options recommended:	Deskmount arm	Deskmount arm
Certifications:	CE	CE
Warranty:	5 years	5 years



M Easy Stand Desktop Black



M Easy Stand Desktop Silver

M Easy Stand Desktop White

M Easy Stand Desktop - Specification

Model:	M Easy Stand Desktop Black	M Easy Stand Desktop White	M Easy Stand Desktop Silver	M Easy Stand Dual Monitor Mount Black
Article No:	7 350 073 733 156	7 350 073 733 170	7 350 073 733 163	7 350 073 733 187
Colour:	Black	White	Silver	Black
Material:	Aluminum	Aluminum	Aluminum	Aluminum
For screen size:	< 30"	< 30"	< 30"	< 30"
Screen weight:	1.5 - 7.5 kg	1.5 - 7.5 kg	1.5 - 7.5 kg	1 - 3 kg / monitor
VESA standard:	75x75 100x100	75x75 100x100	75x75 100x100	75x75 100x100
Screen adjustment:	140 mm	140 mm	140 mm	140 mm
Height adjustment:	460 mm	460 mm	460 mm	460 mm
Screen tilt:	Yes, ± 25°	Yes, ± 25°	Yes, ± 25°	Yes, ± 25°
Screen rotate:	Yes, 360°	Yes, 360°	Yes, 360°	Yes, 360°
Table size:	640x360 mm (WxD)	640x360 mm (WxD)	640x360 mm (WxD)	640x360 mm (WxD)
Table weight:	0-10 kg	0-10 kg	0-10 kg	0-10 kg
Weight:	13.6 kg	13.6 kg	13.6 kg	15.5 kg
Max load:	7.5 kg	7.5 kg	7.5 kg	3 kg / monitor
Warranty:	5 years	5 years	5 years	5 years

Headset Holders

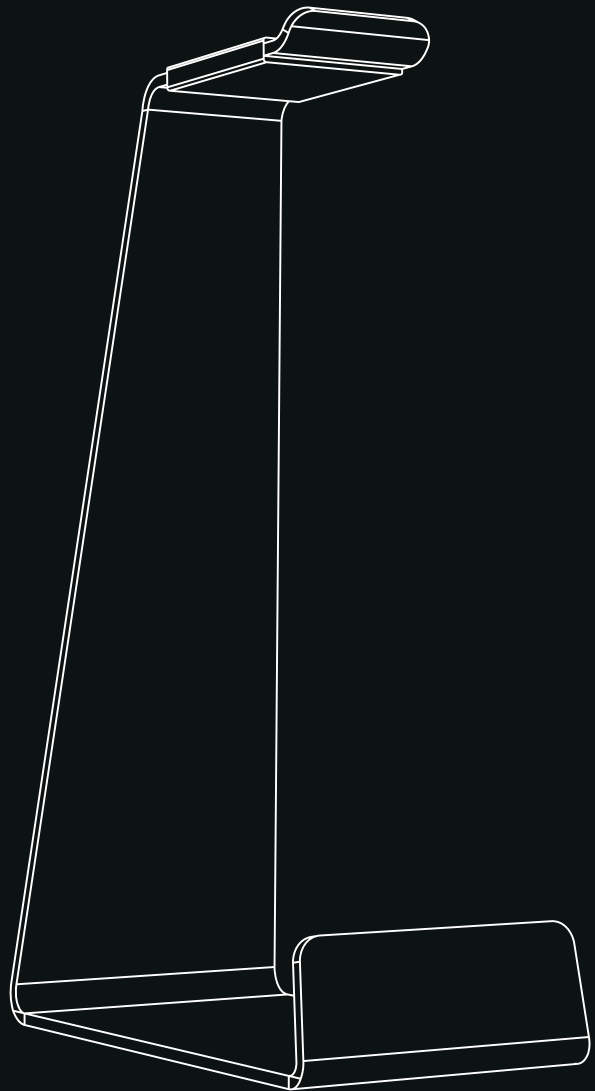
Often imitated, never duplicated.

HIGHLIGHTS:

- Uniquely designed and handmade.
- The original universal Headphones stand.
- Made out of one piece solid material.
- Makes your office desk stand out.

Brass, copper, stainless steel. A headset stand in solid metal, heavy weight.

Looking for a premium level headset stand for your over ear headphones? Our headset stands have become a classic. Often copied and imitated but never duplicated, today the Standard, 'how an exclusive headset stands should look'. So, keep your on ear headphones secure and above all, neat, hanging freely in the air they are unstressed, ensuring a long lasting, good fit, and all whilst being displayed as if in a boutique store.



Making you and your
officedesk stand out



Table



M Headset Holders - TABLE STAND - Specification

Model:	M Headset Holder Table Stand Black	M Headset Holder Table Stand Silver	M Headset Holder Table Stand White	M Headset Holder Table Stand Brass	M Headset Holder Table Stand Copper	M Headset Holder Table Stand Stainless Steel
Article No:	7 350 073 731 893	7 350 073 732 050	7 350 073 731 862	7 350 073 732 845	7 350 073 732 852	7 350 073 734 610
Product measurements:	253x148x80mm	253x148x80mm	253x148x80mm	253x148x80mm	253x148x80mm	253x148x80mm
Weight:	272 g	272 g	272 g	272 g	272 g	272 g
Colour:	Black	Silver	White	Brass	Copper	Stainless Steel
Max load:	1 kg	1 kg	1 kg	1 kg	1 kg	1 kg
Gift box measurements:	260x150x80mm	260x150x80mm	260x150x80mm	260x150x80mm	260x150x80mm	260x150x80mm
Warranty:	5 years	5 years	5 years	5 years	5 years	5 years

Desk



Black



Silver



White

Wall



Brass



Copper



Stainless Steel

M Headset Holders - DESK / WALL - Specification

Model:	M Headset Holder Desk Black	M Headset Holder Desk Silver	M Headset Holder Desk White	M Headset Holder Wall Black	M Headset Holder Wall Silver	M Headset Holder Wall White
Article No:	7 350 073 731 886	7 350 073 732 043	7 350 073 731 855	7 350 073 731 879	7 350 073 732 036	7 350 073 731 848
Product measurements:	112x56x40mm	112x56x40mm	112x56x40mm	112x56x40mm	112x56x40mm	112x56x40mm
Weight:	52 g	52 g	52 g	37 g	37 g	37 g
Colour:	Black	Silver	White	Black	Silver	White
Max load:	1 kg	1 kg	1 kg	1 kg	1 kg	1 kg
Gift box measurements:	120x60x45mm	120x60x45mm	120x60x45mm	120x60x45mm	120x60x45mm	120x60x45mm
Warranty:	5 years	5 years	5 years	5 years	5 years	5 years

Cable Socks

Versatile, with flexible properties Cable Socks gives abrasion resistance for delicate cables

HIGHLIGHTS:

- Expands easily to ensure complete coverage and protection.
- Offers general protection from abrasion, chemicals and temperature for optimal protection.
- Available in various sizes and colors.
- Designed to adjust and expand to irregular shapes.
- Keeps its flexibility under a wide range of temperatures and over time.
- Constructed from tightly woven polyester material.
- Provides easy installation on already existing applications simply unwrap the cable sock and apply directly to your cable or product.
- Highly versatile with flexible properties, excellent for office/commercial/ industrial uses.



What's special about Cable Socks, and why would they be needed? Leaving delicate cables exposed to the outside elements puts them at risk of costly abrasive damage and UV degradation. Adding Multibrackets cable sock solutions to cables in high traffic or high friction areas will help extend cable

life and save you money down the road. Unlike traditional braided sleeving or wire loom, these cable socks install easily with no special tools or endless sliding. Our unique colour options also allow colour coding and easy identification of cable infrastructure. A good choice for AV cables, computer cables

(inside and out), server halls, data-centres optical cables (5mm version), hospitals, hotel rooms and anywhere else one might need high quality cable socks. Our Cable Socks are also fire retardant.



Protecting and grouping of wires after installation
To be used - everywhere!





Model: 5mm Yellow

Model: 10mm Yellow

Model: 19mm Yellow

Model: 25mm Yellow

Model: 40mm Yellow

Article No: 7 350 073 734 382

Article No: 7 350 073 734 429

Article No: 7 350 073 734 467

Article No: 7 350 073 734 504

Article No: 7 350 073 734 542

Colour: Yellow

Colour: Yellow

Colour: Yellow

Colour: Yellow

Colour: Yellow

Diameter: Min: 5mm - Max: 9mm

Diameter: Min: 10mm - Max: 14mm

Diameter: Min: 19mm - Max: 30mm

Diameter: Min: 25mm - Max: 35mm

Diameter: Min: 40mm - Max: 50mm



Model: 5mm Orange

Model: 10mm Orange

Model: 19mm Orange

Model: 25mm Orange

Model: 40mm Orange

Article No: 7 350 073 734 399

Article No: 7 350 073 734 436

Article No: 7 350 073 734 474

Article No: 7 350 073 734 511

Article No: 7 350 073 734 559

Colour: Orange

Colour: Orange

Colour: Orange

Colour: Orange

Colour: Orange

Diameter: Min: 5mm - Max: 9mm

Diameter: Min: 10mm - Max: 14mm

Diameter: Min: 19mm - Max: 30mm

Diameter: Min: 25mm - Max: 35mm

Diameter: Min: 40mm - Max: 50mm



Model: 5mm Red

Model: 10mm Red

Model: 19mm Red

Model: 25mm Red

Model: 40mm Red

Article No: 7 350 073 734 412

Article No: 7 350 073 734 450

Article No: 7 350 073 734 498

Article No: 7 350 073 734 535

Article No: 7 350 073 734 573

Colour: Red

Colour: Red

Colour: Red

Colour: Red

Colour: Red

Diameter: Min: 5mm - Max: 9mm

Diameter: Min: 10mm - Max: 14mm

Diameter: Min: 19mm - Max: 30mm

Diameter: Min: 25mm - Max: 35mm

Diameter: Min: 40mm - Max: 50mm



Model: 5mm Blue

Model: 10mm Blue

Model: 19mm Blue

Model: 25mm Blue

Model: 40mm Blue

Article No: 7 350 073 734 405

Article No: 7 350 073 734 443

Article No: 7 350 073 734 481

Article No: 7 350 073 734 528

Article No: 7 350 073 734 566

Colour: Blue

Colour: Blue

Colour: Blue

Colour: Blue

Colour: Blue

Diameter: Min: 5mm - Max: 9mm

Diameter: Min: 10mm - Max: 14mm

Diameter: Min: 19mm - Max: 30mm

Diameter: Min: 25mm - Max: 35mm

Diameter: Min: 40mm - Max: 50mm



Model:	5mm White	10mm White	19mm White	25mm White	40mm White
Article No:	7 350 073 733 194	7 350 073 733 224	7 350 022 734 203	7 350 073 732 777	7 350 073 732 807
Colour:	White	White	White	White	White
Diameter:	Min: 5mm - Max: 9mm	Min: 10mm - Max: 14mm	Min: 19mm - Max: 30mm	Min: 25mm - Max: 35mm	Min: 40mm - Max: 50mm



Model:	5mm Silver	10mm Silver	19mm Silver	25mm Silver	40mm Silver
Article No:	7 350 073 733 200	7 350 073 733 231	7 350 022 734 180	7 350 073 732 784	7 350 073 732 814
Colour:	Silver	Silver	Silver	Silver	Silver
Diameter:	Min: 5mm - Max: 9mm	Min: 10mm - Max: 14mm	Min: 19mm - Max: 30mm	Min: 25mm - Max: 35mm	Min: 40mm - Max: 50mm



Model:	5mm Black	10mm Black	19mm Black	25mm Black	40mm Black
Article No:	7 350 073 733 217	7 350 073 733 248	7 350 022 734 197	7 350 073 732 791	7 350 073 732 821
Colour:	Black	Black	Black	Black	Black
Diameter:	Min: 5mm - Max: 9mm	Min: 10mm - Max: 14mm	Min: 19mm - Max: 30mm	Min: 25mm - Max: 35mm	Min: 40mm - Max: 50mm

Accessories



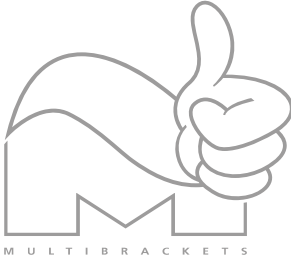
Model:	M Cable Sock Heat Cutter	M Cable Sock Quicktool
Article No:	7 350 022 732 926	7 350 073 734 689
Colour:	Light Blue	Blue
Warranty:	1 year	1 year

M Universal Cable Socks Self Wrapping - Specification

Material:	Polyester
Self wrapping:	Yes
Socket length:	25 m
Working temp. :	-50°C-+ 150°C
Melting point:	240±10°C
Flammability:	8s6853 lb UL94 V-0 FMVSS 302
Monofilament diameter:	0.25mm
Safety:	Fire retardant material
Certificate:	RoHS
Warranty:	5 years
Weight:	Depending on size

Wear-resisting level:
ISO6722, Load 7N, Number of scratches ≥3000 times, high wear resistance.

Application:
It is widely used in electrical wiring, cables, wiring harness and hoses for high-speed trains, cars, automation equipment, instruments, and especially for irregularly wiring harness.



“Everything starts with you.

For us to create great products it always begins with putting you the user at the heart of everything we do.”

Mission

We are on a mission to create products that are simple to install and use, that excites and solves our clients daily needs - everyday, all year around. Based in Stockholm, Sweden we design, develop and market AV Equipment. But we do it our way. Armed with a genuine passion for new technology and user centric innovation, we take a product and give it a little bit of Multibrackets magic!

About us

Founded in year 2000 we are a family owned business and represented in over 30 countries. Today we are considered one of the leaders in the rapidly changing environment of digital signage technology – together with our distributors we are providing hardware and services to enable the full value from idea to a ready product. With one of most comprehensive product lines in EU we supply Audio Visual Equipment for every need. Multibrackets reputation for innovative products is well known.

Become a partner

Stay ahead of your competition – Let us help you become a partner. Simply send us an email on support@multibrackets.com or go to our webpage <https://products.multibrackets.com/en/contact> for a contact with us at Multibrackets and we will help you with a distributor's contact. We look forward to your email.

Contact details

Multibrackets Europe AB
Döbelnsgatan 21, 11th floor
SE-111 40 Stockholm
SWEDEN

Reach us on email support@multibrackets.com or phone +46 (0)8 - 615 04 00

Sustainability

At Multibrackets we see sustainability like a journey. Being in the AV business means we have a responsibility to take care of the environment and everybody who plays a part in making our products. We are working hard to design sustainable products, minimize our impact on the environment, improve our sourcing and create a great workplace for our employees. Find out more about what we are doing and what we've already achieved on our web.

Copyright

This catalogue is protected by copyright laws. The graphic design, content, and images in this catalogue may not be reproduced, published displayed, or reproduced in any way, in whole or in part. This catalogue is considered the intellectual property of Multibrackets Europe AB, and we respectfully ask that you not copy, transmit, distribute, or create a derivative work based upon the content and materials of this catalogue. The content is also subject to the copyright laws of EU and the US (Act of 1976, Title 17 of the United States Code) and may not be copied for use in your publications or newsletters without prior written consent of Multibrackets Europe AB. If you are a customer of Multibrackets Europe AB and would like permission to use one of our articles in your company publication, please email and we would be happy to consider giving you permission to do so, as long as you would be willing to credit your source (Multibrackets Europe AB).

We reserve ourselves for printing errors

Printing errors. While we strive to display all our information as correct as possible, there sometimes occurs misprinting's and faulty information in catalogues. If this happens, and it should affect in any way the forms of, for example faulty product information, or the alike, we will inform you as soon as we notice, and amend it. Please note that we reserve ourselves the right to cancel any order that has been sold presented with a misprinted information. Editing, deleting, or modification of this catalogue: We reserve the right, for any reason, to edit this catalogue. That means, without advance notice, we may suspend, discontinue, edit, or delete current information, products, services, or any other content appearing in this catalogue.

Again, Welcome to Multibrackets Europe, one of the leading manufacturers of Audio Visual Equipment in Europe.



 ***Guntlin Elektronik AG***

Guntlin Elektronik AG

Roosstrasse 53 | CH-8832 Wollerau SZ | Schweiz

Telefon: 055 442 35 45

E-Mail: info@guntlin.ch

Web: www.guntlin.ch